

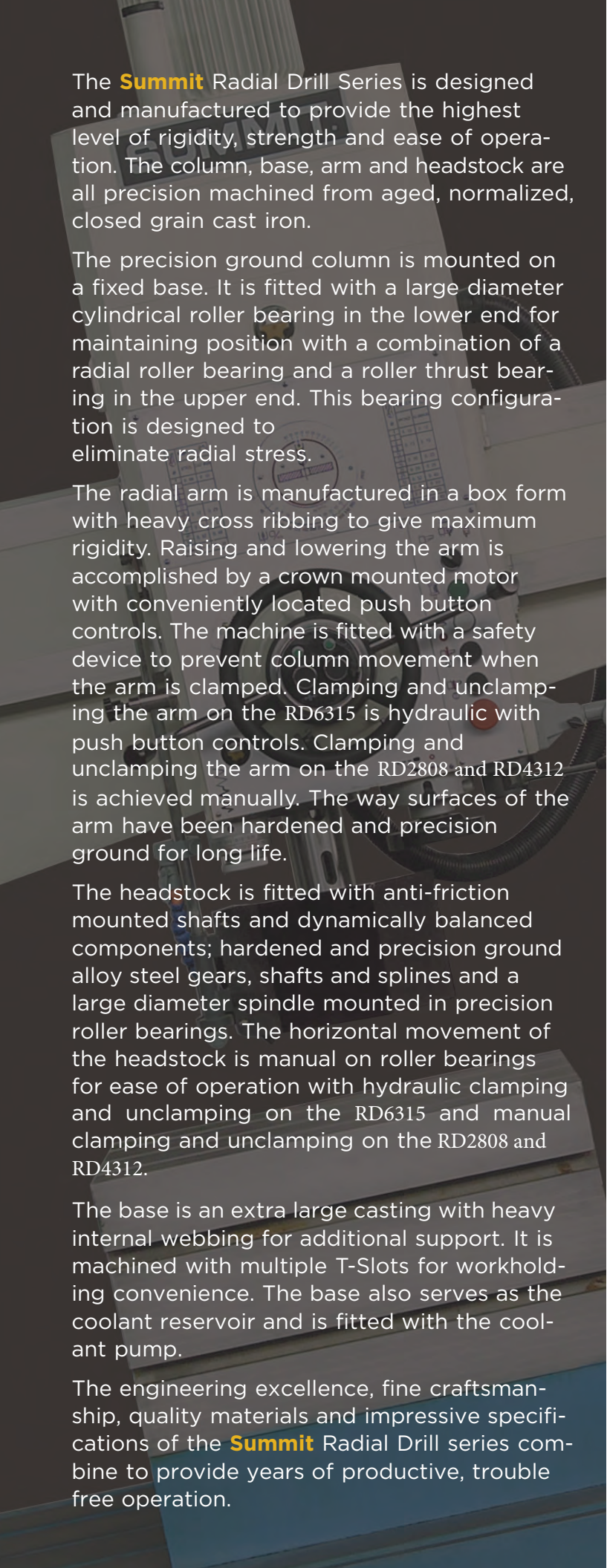


SUMMIT
MACHINE TOOL



RADIAL DRILLS

RD2808, RD4312, RD6315



The **Summit** Radial Drill Series is designed and manufactured to provide the highest level of rigidity, strength and ease of operation. The column, base, arm and headstock are all precision machined from aged, normalized, closed grain cast iron.

The precision ground column is mounted on a fixed base. It is fitted with a large diameter cylindrical roller bearing in the lower end for maintaining position with a combination of a radial roller bearing and a roller thrust bearing in the upper end. This bearing configuration is designed to eliminate radial stress.

The radial arm is manufactured in a box form with heavy cross ribbing to give maximum rigidity. Raising and lowering the arm is accomplished by a crown mounted motor with conveniently located push button controls. The machine is fitted with a safety device to prevent column movement when the arm is clamped. Clamping and unclamping the arm on the RD6315 is hydraulic with push button controls. Clamping and unclamping the arm on the RD2808 and RD4312 is achieved manually. The way surfaces of the arm have been hardened and precision ground for long life.

The headstock is fitted with anti-friction mounted shafts and dynamically balanced components; hardened and precision ground alloy steel gears, shafts and splines and a large diameter spindle mounted in precision roller bearings. The horizontal movement of the headstock is manual on roller bearings for ease of operation with hydraulic clamping and unclamping on the RD6315 and manual clamping and unclamping on the RD2808 and RD4312.

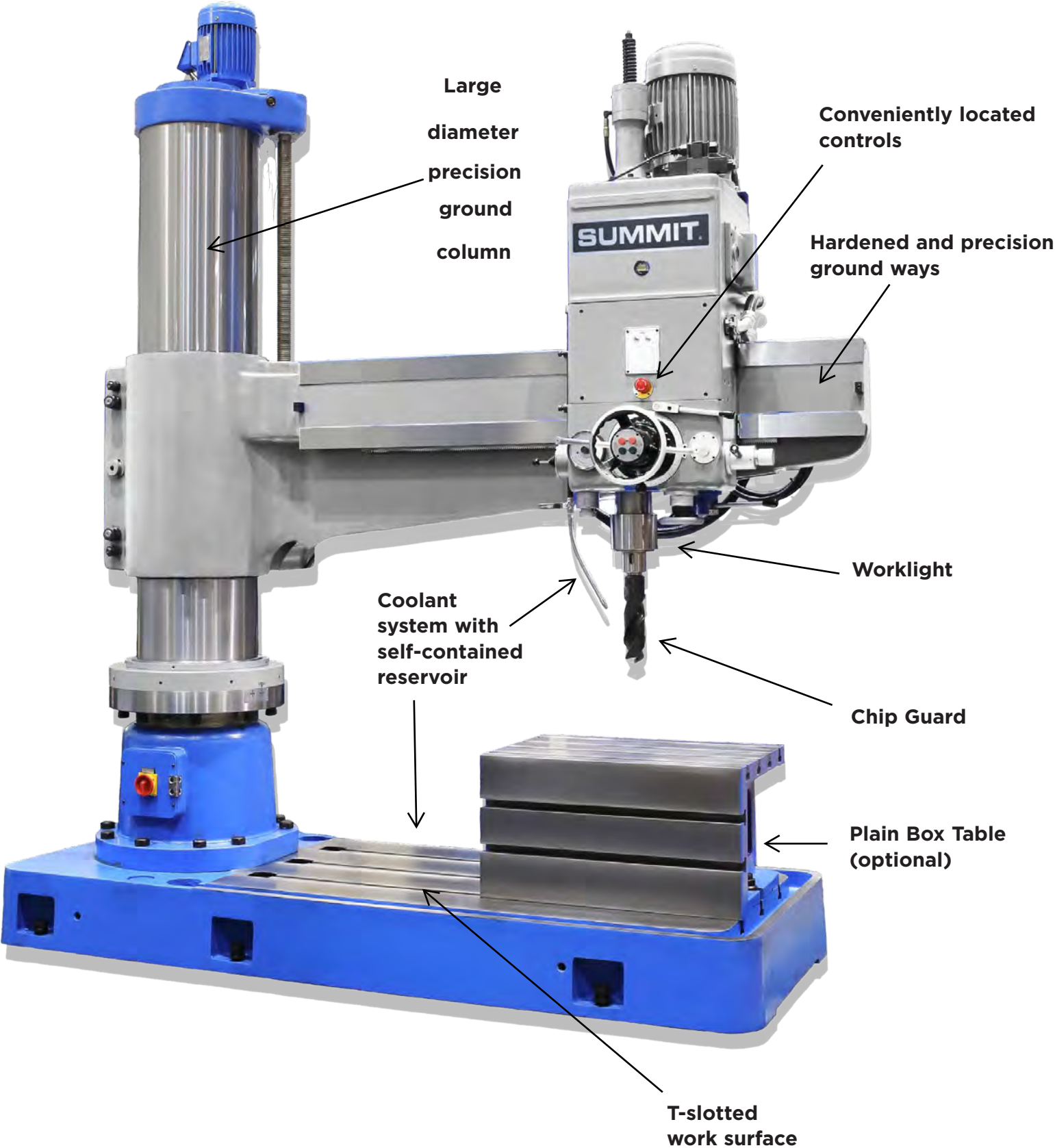
The base is an extra large casting with heavy internal webbing for additional support. It is machined with multiple T-Slots for workholding convenience. The base also serves as the coolant reservoir and is fitted with the coolant pump.

The engineering excellence, fine craftsmanship, quality materials and impressive specifications of the **Summit** Radial Drill series combine to provide years of productive, trouble free operation.

STANDARD FEATURES

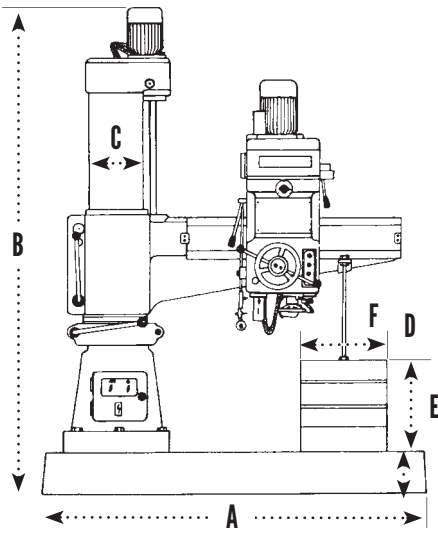
- Built in coolant and piping
- Precision spindle, hardened and ground CRNI
- Hydraulic clamping on the RD6315
- Safety limit switches
- Pressurized lubrication system
- Heavily ribbed cast iron base and arm
- Hardened and ground gears and shafts
- Large T-slotted base
- Adjustable clutch with automatic depth stop
- Hydraulic preselected shifting of feeds and speeds
- Counter balanced spindle

SUMMIT RADIAL DRILLS RD2808, RD4312, RD6315



DIMENSIONS AND SPECIFICATIONS

RD2808, RD4312, RD6315



	RD2808	RD4312	RD6315
A	55"	81"	108"
B	77"	93"	117"
C	8"	12"	15.375"
D	16"	19.75"	19.75"
E	15.75"	15.75"	15.75"
F	21"	29.5"	29.5"
	RD2808	RD4312	RD6315
Drilling capacity	1.5"	1.75"	2.25"
Distance from spindle axis to column (min/max)	7.5"/28"	14"/43.25"	14.5" / 63"
Vertical travel of arm on column	21"	27.562"	33"
Column diameter	8"	12"	15.375"
Spindle taper	4 MT	4 MT	MT 5
Spindle travel	8.25"	8.625"	11.75"
Spindle speeds (number)	6	9	12
Spindle speeds (range)	88 - 1500	49 - 1524 RPM	30 - 1580 RPM
Spindle feeds (number)	3	3	12
Spindle feeds (IPR)	.003", .0052", .009"	.003" - .0137"	.0023" - .044"
Horizontal traverse of spindle head on arm	20.5"	29.75"	48.5"
Distance between spindle & working surface of base (min/max)	12.5"/42"	13.5" / 49.75"	17"/61.75"
Arm elevating motor	1 HP	2HP	2HP
Hydraulic clamping motor for head and arm	N/A	N/A	1HP
Coolant pump motor	.1HP	.1HP	.1HP
Spindle motor	2HP	3 HP	7.5 HP
Overall dimensions (L x W x H)	55 x 31 x 77	81" x 41" x 93"	108" x 46" x 117"
Net weight	2843lbs	5896 lbs	11,130 lbs

WARRANTY: A copy of Summit Machine Tool Manufacturing L.L.C.'s standard written warranty is attached to each Summit Machine. Call or write to Summit for a copy or for further information concerning Summit's standard warranty. All purchases are subject to Summit's standard written warranty. Specifications are subject to change without notice.

POINT OF OPERATION guarding is the responsibility of the end user. For information contact your local OSHA office.

SUMMIT MACHINE TOOL MANUFACTURING, L.L.C.

P.O. Box 1402 • Oklahoma City, OK 73101
405.235.2075 • FAX 405.232.5169

A Subsidiary of LSB Industries, Inc.



FOR MORE INFORMATION CALL 1-800-654-3262
WWW.SUMMITMACHINETOOL.COM