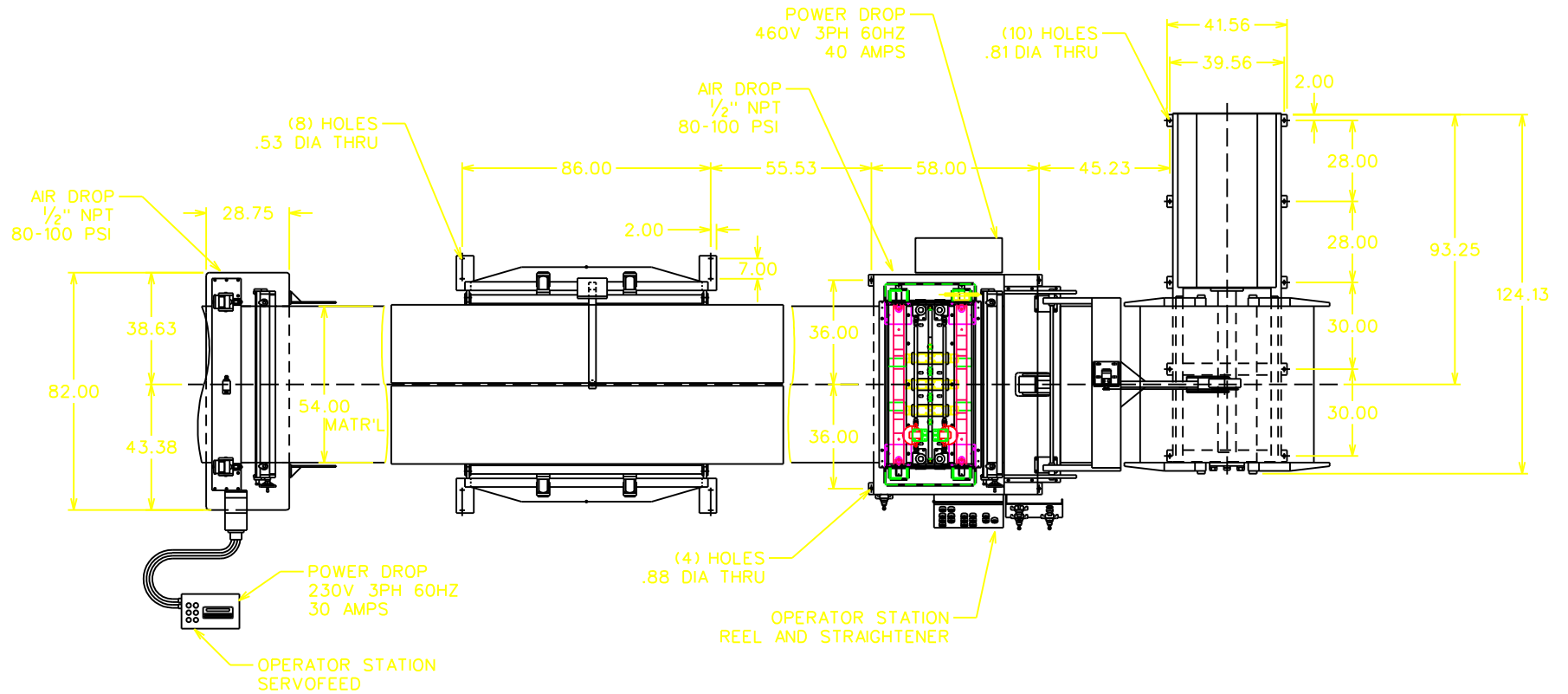


FOR APPROVAL ONLY

DWG. NO. C7511

DATE _____ BY _____

PLAN VIEW



WARNING
 PERIMETER GUARDING IS NECESSARY AND THE EQUIPMENT SHOULD NOT BE USED WITHOUT IT. IT IS THE USER'S RESPONSIBILITY TO PROVIDE SUCH GUARDING IN ACCORDANCE WITH APPLICABLE LAWS / REGULATIONS.

NO.	CHANGES	DATE	BY

COOPER-WEYMOUTH, PETERSON CLINTON, MAINE 04927			
SANDERSON SERIAL •C7511			
54" LINE APPROVAL DRAWING			
FILE: \LINE-DWG\ C7511.DGN			
DATE	DWN BY	CHD REF	SHT OF
1/3/03	JPC		2 2
DWG. NO.	C7511	REV	DWG SIZE
			B