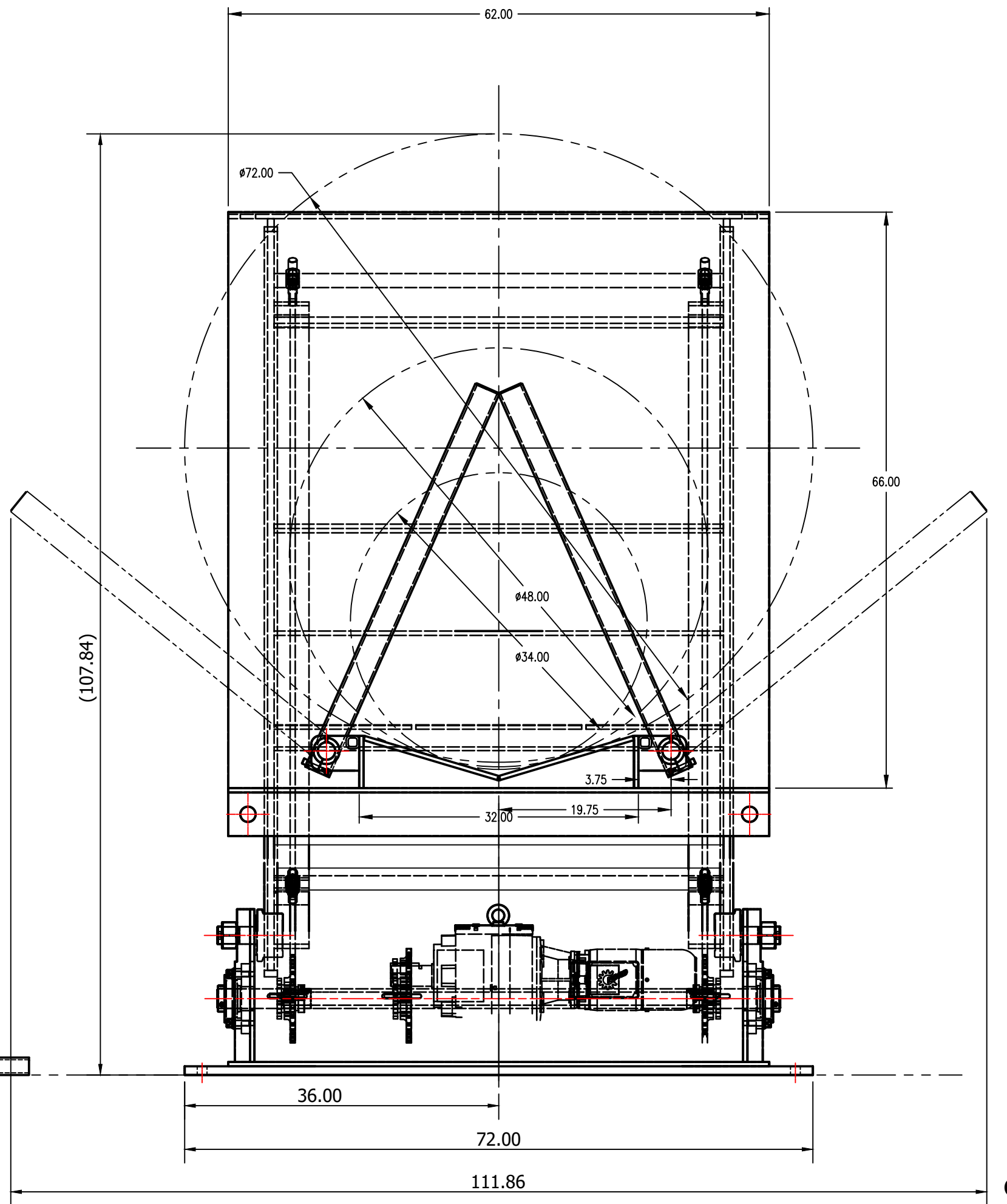
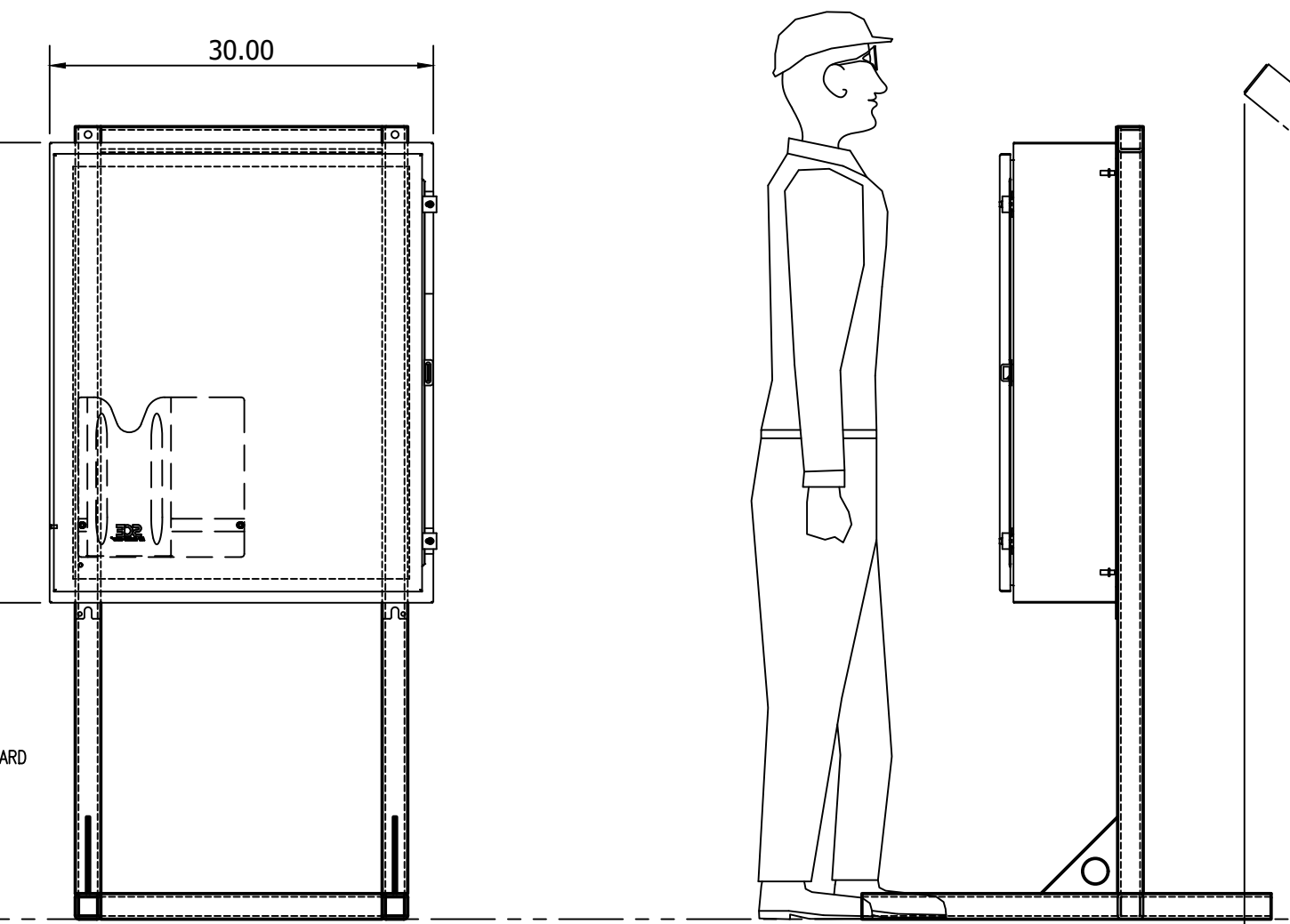
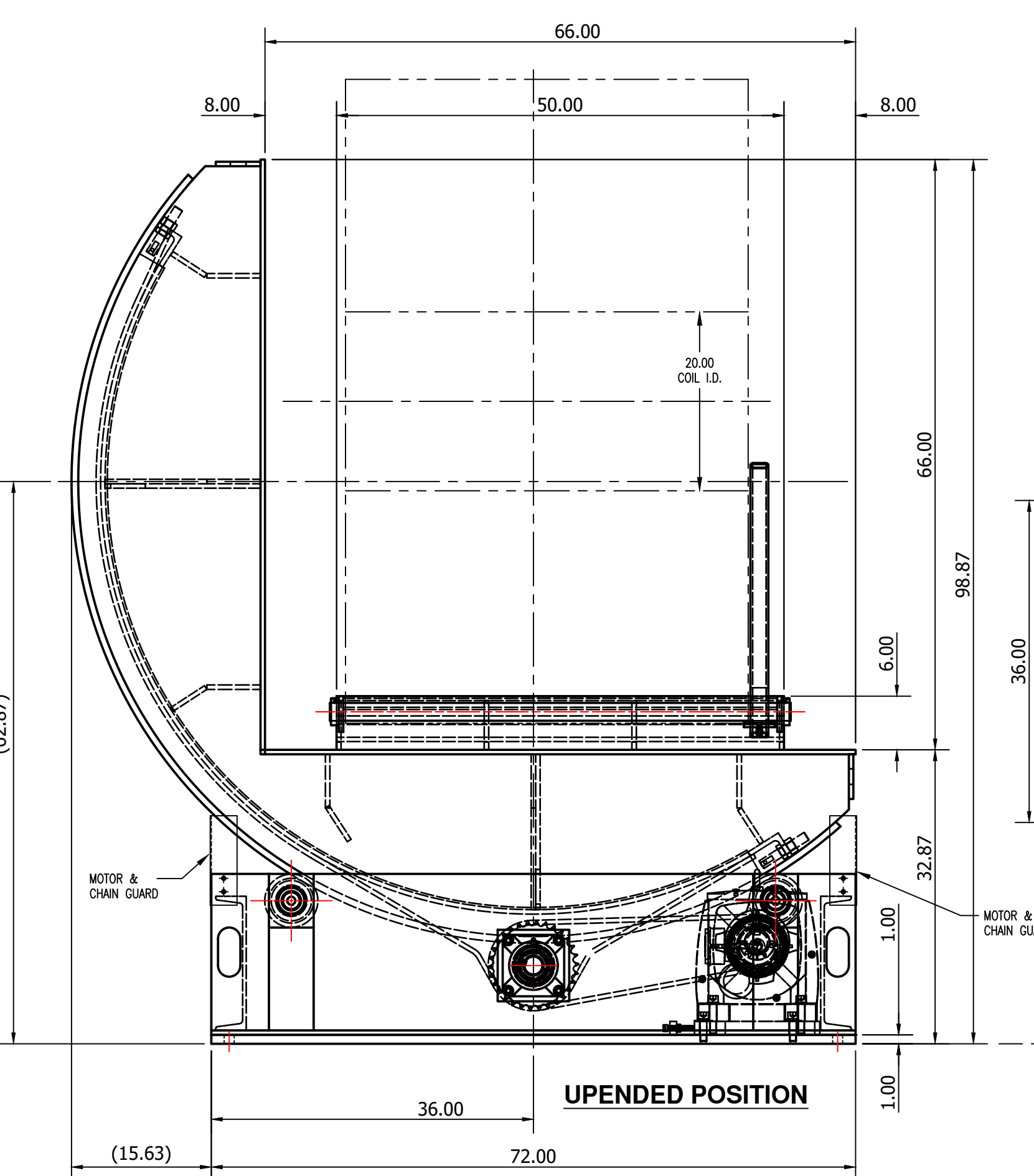
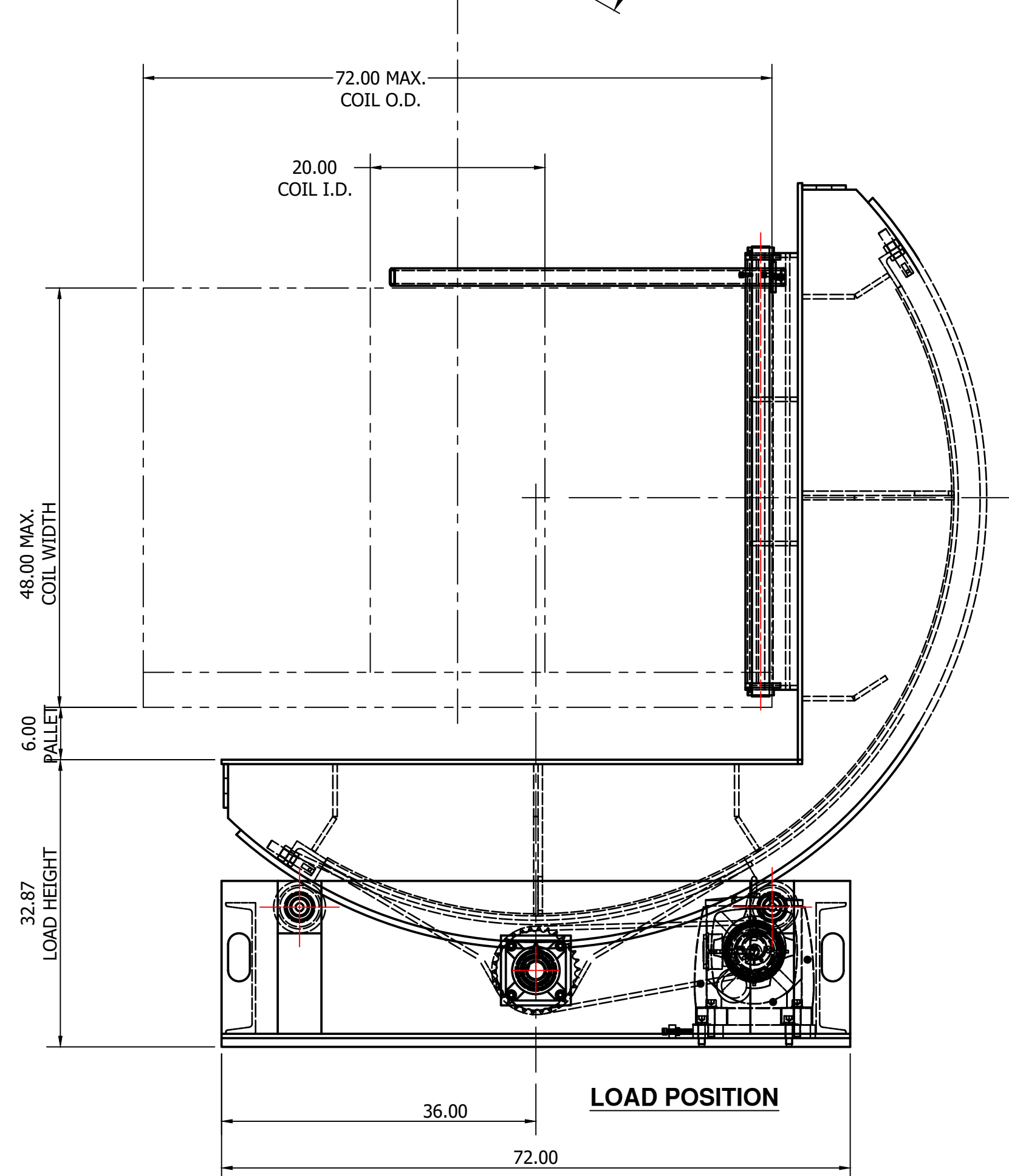
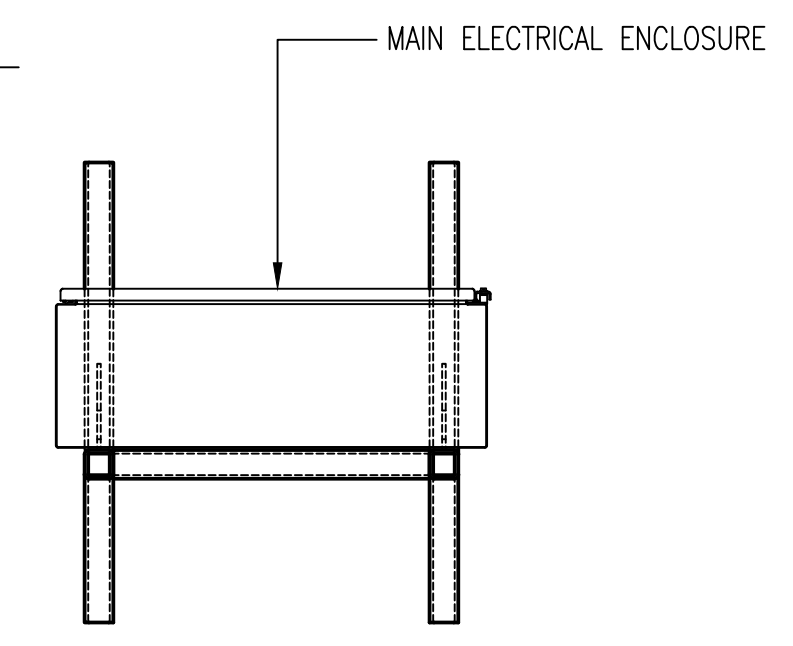
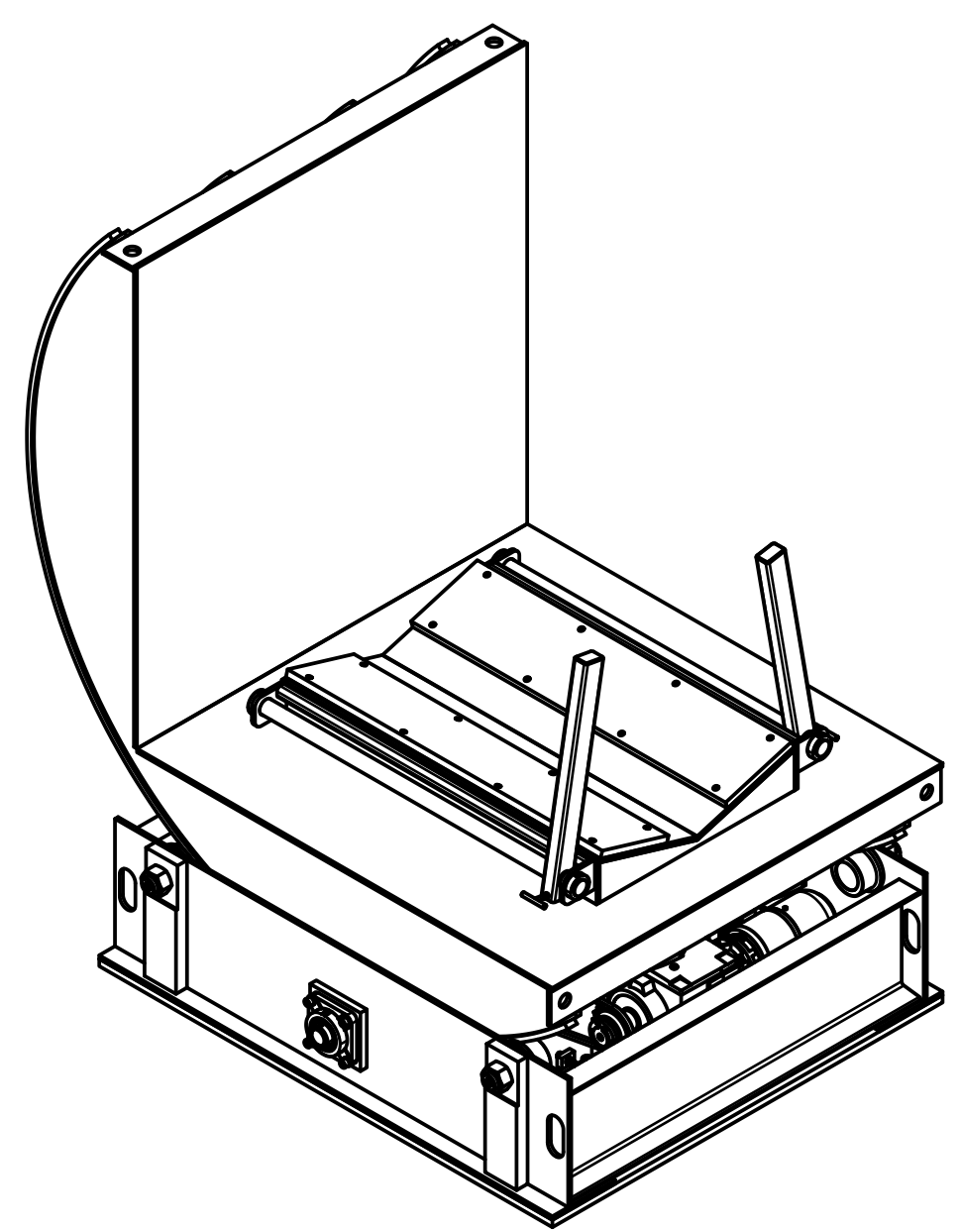


CUSTOMER APPROVALS

LINE DIRECTION: -  
 COIL UPENDER: PSU-100  
 COIL CENTERLINE: -  
 PAYOUT SPEED: -  
 POWER VOLTS: 480V

AMPERAGE: - AMP  
 PAINT COLOR: WHITE RAL 9003 WITH YELLOW DETAILS

CUSTOMER \_\_\_\_\_ DATE \_\_\_\_\_



OMG #J29436