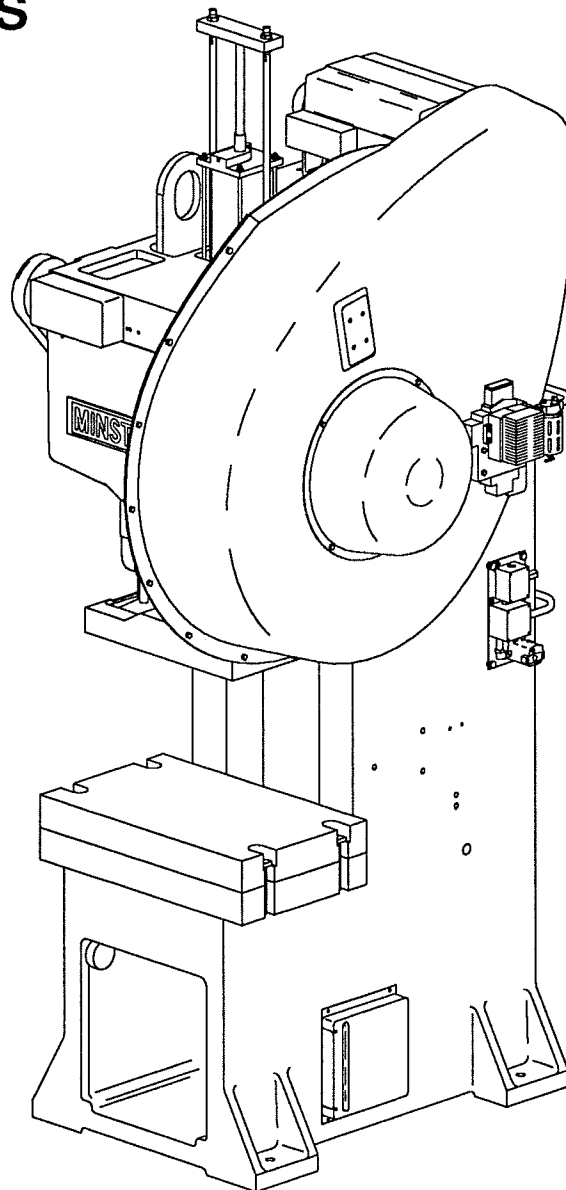


MINSTER[®]

Series O.B.S./O.B.I.

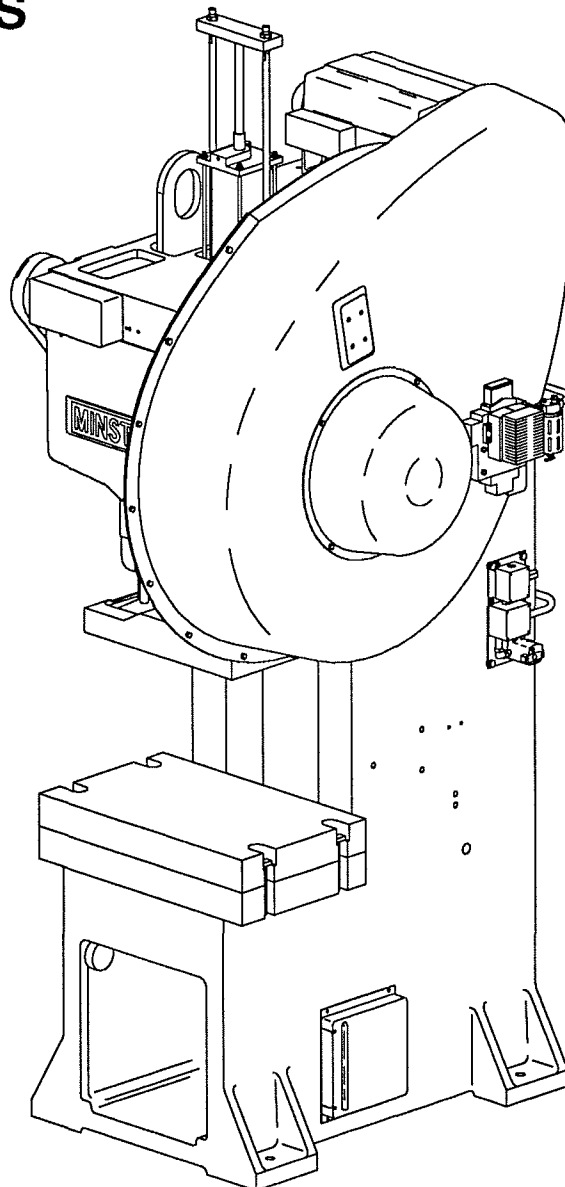
O.B.S/O.B.I. - 32-75 Tons Capacity
SuperSpeed O.B.S. - 32-60 Tons Capacity
REPAIR PARTS
MANUAL



MINSTER[®]

Series O.B.S./O.B.I.

O.B.S/O.B.I. - 32-75 Tons Capacity
SuperSpeed O.B.S. - 32-60 Tons Capacity
REPAIR PARTS
MANUAL



SERIAL NUMBER

When contacting MINSTER (by letter, fax, telex or telephone) for repair parts or information concerning your press, please furnish the press serial number. This number is stamped on the press identification plate and on the press specification sheet. Manufacturing records, technical data and special information (in our possession) can be located quickly when the press serial number is known.

DESIGN CHANGES

Design changes between the press you received and the press illustrated in this manual are the result of design improvements or special arrangements agreed on, contractually, at the time of purchase. Illustrations shown are for the standard O.B.S./O.B.I. and O.B.S. SuperSpeed Series presses.

CONTENTS

	Page
Press Identification	3
Frame & Crankshaft Parts (Flywheel Type)	4
Frame & Crankshaft Parts List (Flywheel Type)	5
Frame & Crankshaft Parts (Geared Type)	6
Frame & Crankshaft Parts List (Geared Type)	7
Inclining Mechanism Parts	8
Inclining Mechanism Parts List	9
Manual Slide Adjustment Parts	10
Manual Slide Adjustment Parts List	11
Motorized Slide Adjustment Parts	12
Motorized Slide Adjustment Parts List	13
Driveshaft Parts (Geared Type)	14
Driveshaft Parts List (Geared Type)	15
Counterbalance Parts (Trunnion Mounted)	16
Counterbalance Parts List (Trunnion Mounted)	17
Flywheel Brake Parts	18
Flywheel Brake Parts List	19
Knockout Parts	20
Knockout Parts List	21
Miscellaneous Parts	22
Miscellaneous Parts List	23
Miscellaneous Parts	24
Miscellaneous Parts List	25

Copyright © 1994 by
THE MINSTER MACHINE COMPANY
Minster, Ohio 45865 U.S.A.

Reproduction or use, without express permission,
of editorial or pictorial content, in any manner, is prohibited.

PRESS IDENTIFICATION

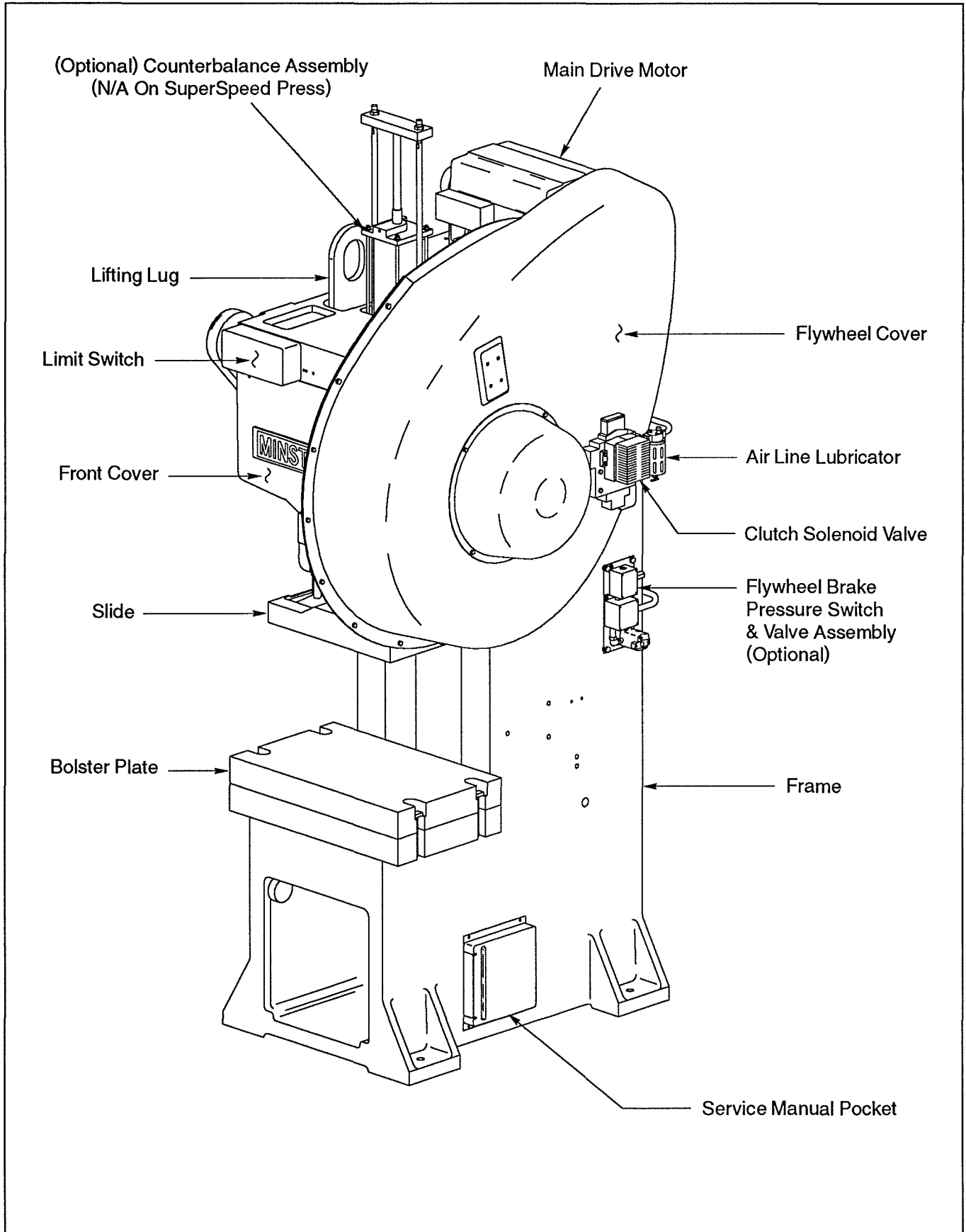
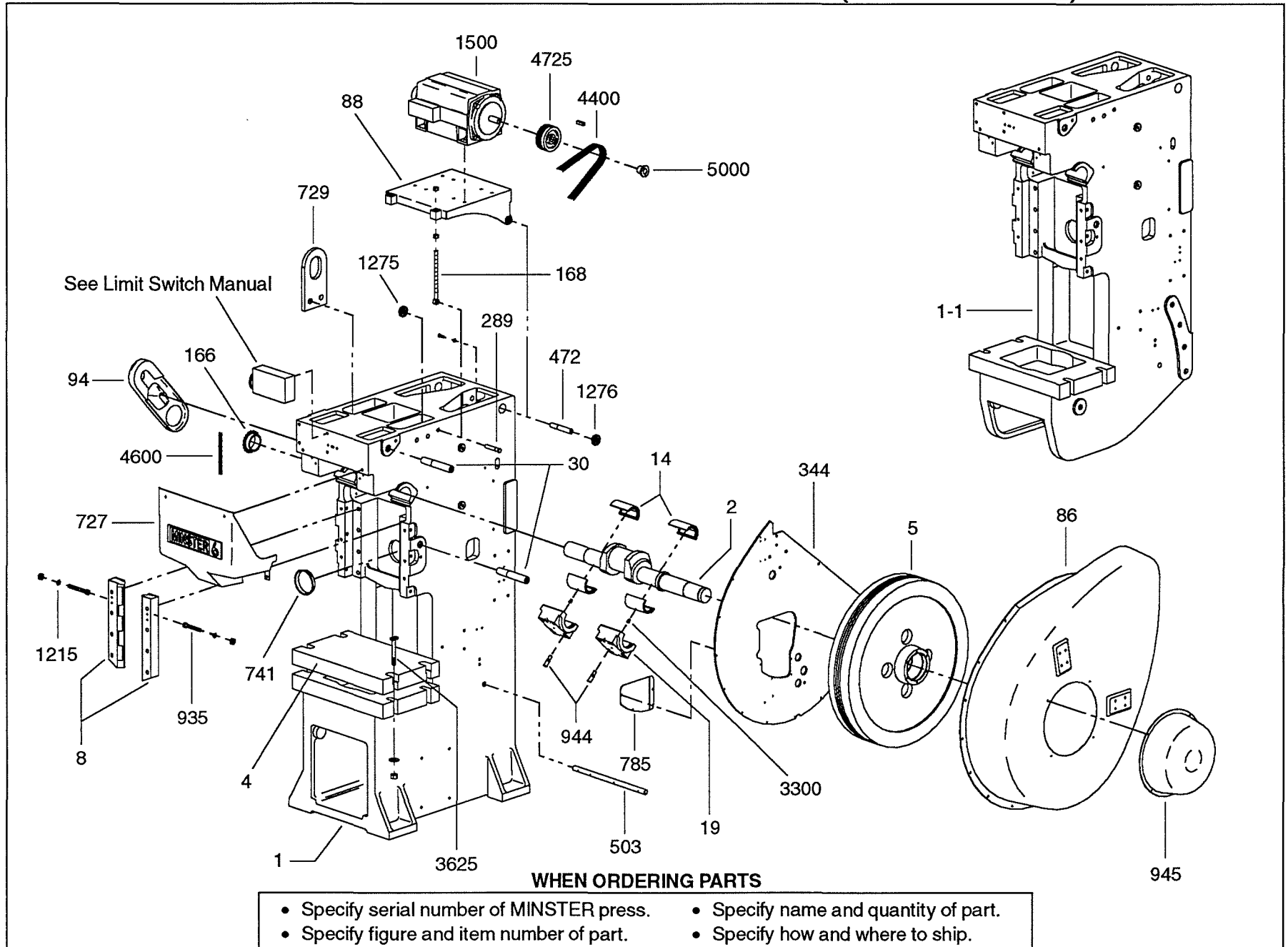


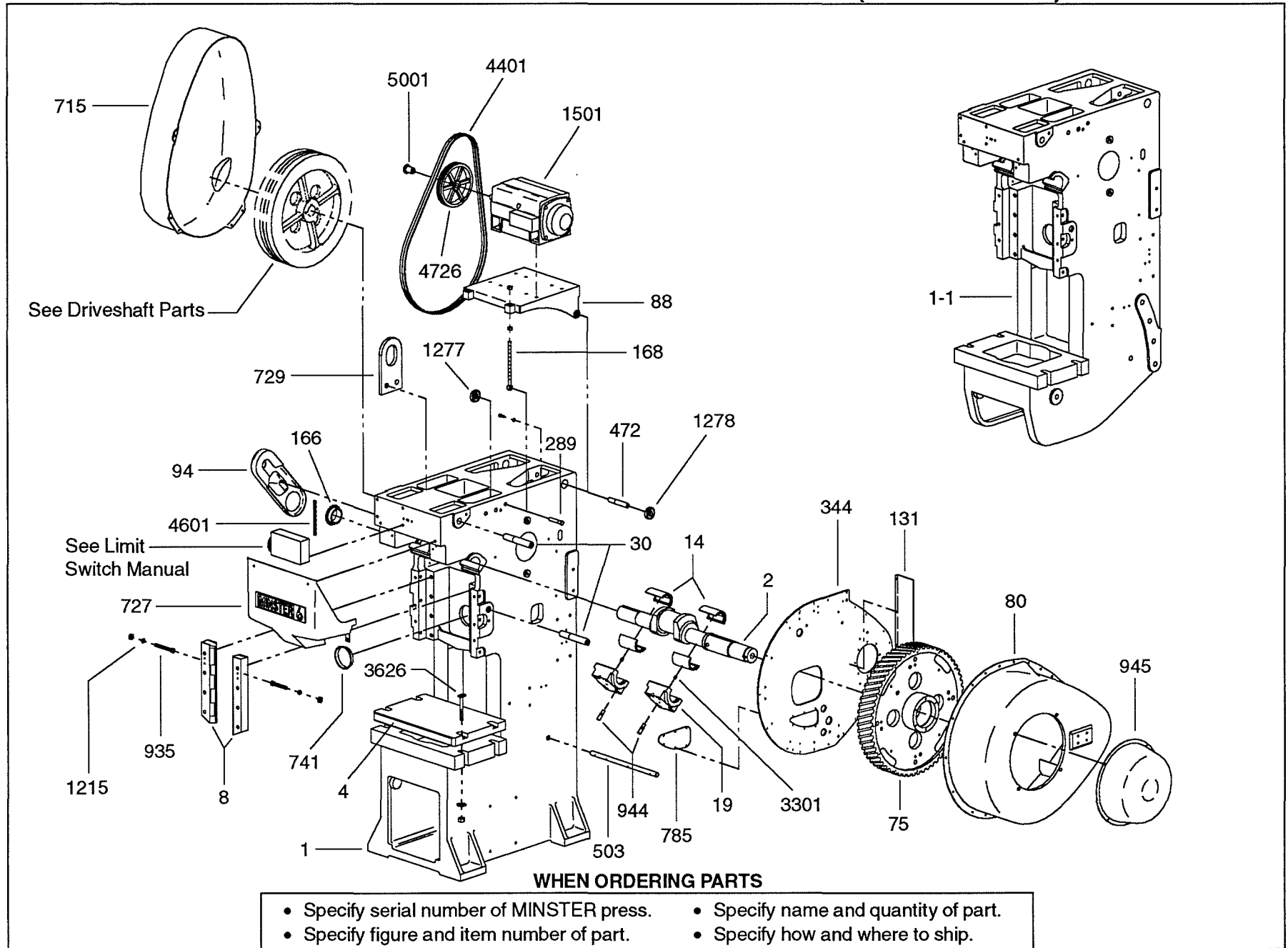
FIGURE 1011B — FRAME & CRANKSHAFT PARTS (FLYWHEEL TYPE)



**REF. FIGURE 1011B
FRAME & CRANKSHAFT PARTS LIST (FLYWHEEL TYPE)**

Fig. & Key Number	Part Name	Qty.	Fig. & Key Number	Part Name	Qty.
1011B-1	Stationary Frame	1	1011B-727	Front Cover	1
1011B-1-1	Inclining Frame	1	1011B-729	Lifting Lug	2
1011B-2	Crankshaft	1	1011B-741	Cap Plug	2
1011B-4	Bolster Plate	1	1011B-785	Indicator Window	1
1011B-5	Flywheel	1	1011B-935	Gib Adjustment Screw	6
1011B-8	Gib	2	1011B-944	Lube Drain Restrictor	2
1011B-14	Main Bearing Bushing	2	1011B-945	Hub Cover	1
1011B-19	Main Bearing Cap	2	1011B-1215	Vibration Proof Washer	6
1011B-30	Brake Anchor Pin	2	1011B-1275	Clamp-Tite Collar	2
1011B-86	Flywheel Cover	1	1011B-1276	Clamp-Tite Collar	2
1011B-88	Motor Bracket	1	1011B-1500	Drive Motor	1
1011B-94	Limit Switch Chain Guard	1	1011B-3300	Bushing Pin	2
1011B-166	Sprocket	1	1011B-3625	Bolster Bolt	4
1011B-168	Motor Adjustment Screw	2	1011B-4400	V-Belt	3
1011B-289	Adjustable Motor Base Pivot Pin	2	1011B-4600	Limit Switch Timing Chain	1
1011B-344	Flywheel Cover Support Plate	1	1011B-4725	Motor Sheave	1
1011B-472	Motor Plate Hinge Pin	2	1011B-5000	Taper Bushing	1
1011B-503	Lube Support Pin	1			

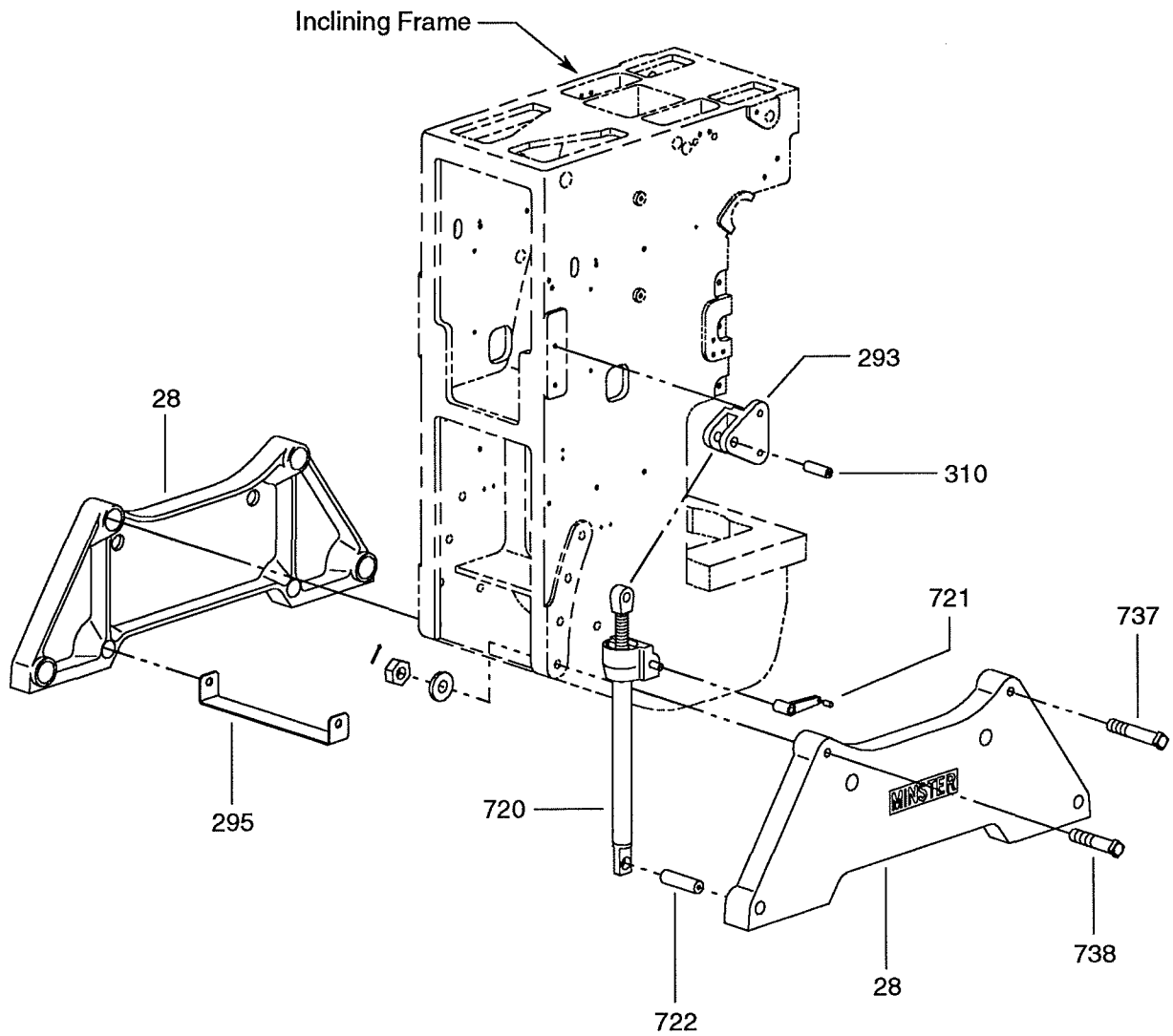
FIGURE 1014B — FRAME & CRANKSHAFT PARTS (GEARED TYPE)



REF. FIGURE 1014B
FRAME & CRANKSHAFT PARTS LIST (GEARED TYPE)

Fig. & Key Number	Part Name	Qty.	Fig. & Key Number	Part Name	Qty.
4B-1	Stationary Frame	1	1014B-727	Front Cover	1
4B-1-1	Inclining Frame	1	1014B-715	Flywheel Cover	1
4B-2	Crankshaft	1	1014B-729	Lifting Lug	2
4B-4	Bolster Plate	1	1014B-741	Cap Plug	2
4B-8	Gib	2	1014B-785	Indicator Window	1
4B-14	Main Bearing Bushing	2	1014B-935	Gib Adjustment Screw	6
4B-19	Main Bearing Cap	2	1014B-944	Lube Drain Restrictor	2
4B-30	Brake Anchor Pin	2	1014B-945	Hub Cover	1
4B-75	Clutch Gear	1	1014B-1215	Vibration Proof Washer	6
4B-80	Gear Cover	1	1014B-1277	Clamp-Tite Collar	2
4B-88	Motor Bracket	1	1014B-1278	Clamp-Tite Collar	2
4B-94	Limit Switch Chain Guard	1	1014B-1501	Drive Motor	1
4B-131	Pinion Oil Splash Guard	1	1014B-3301	Bushing Pin	2
4B-166	Sprocket	1	1014B-3626	Bolster Bolt	4
4B-168	Motor Adjustment Screw	2	1014B-4401	V-Belt	2
4B-289	Adjustable Motor Base Pivot Pin	2	1014B-4601	Limit Switch Timing Chain	1
4B-344	Gear Cover Support	1	1014B-4726	Sheave	1
4B-472	Motor Plate Hinge Pin	2	1014B-5001	Taper Bushing	1
4B-503	Lube Support Pin	1			

FIGURE 1012B — INCLINING MECHANISM PARTS



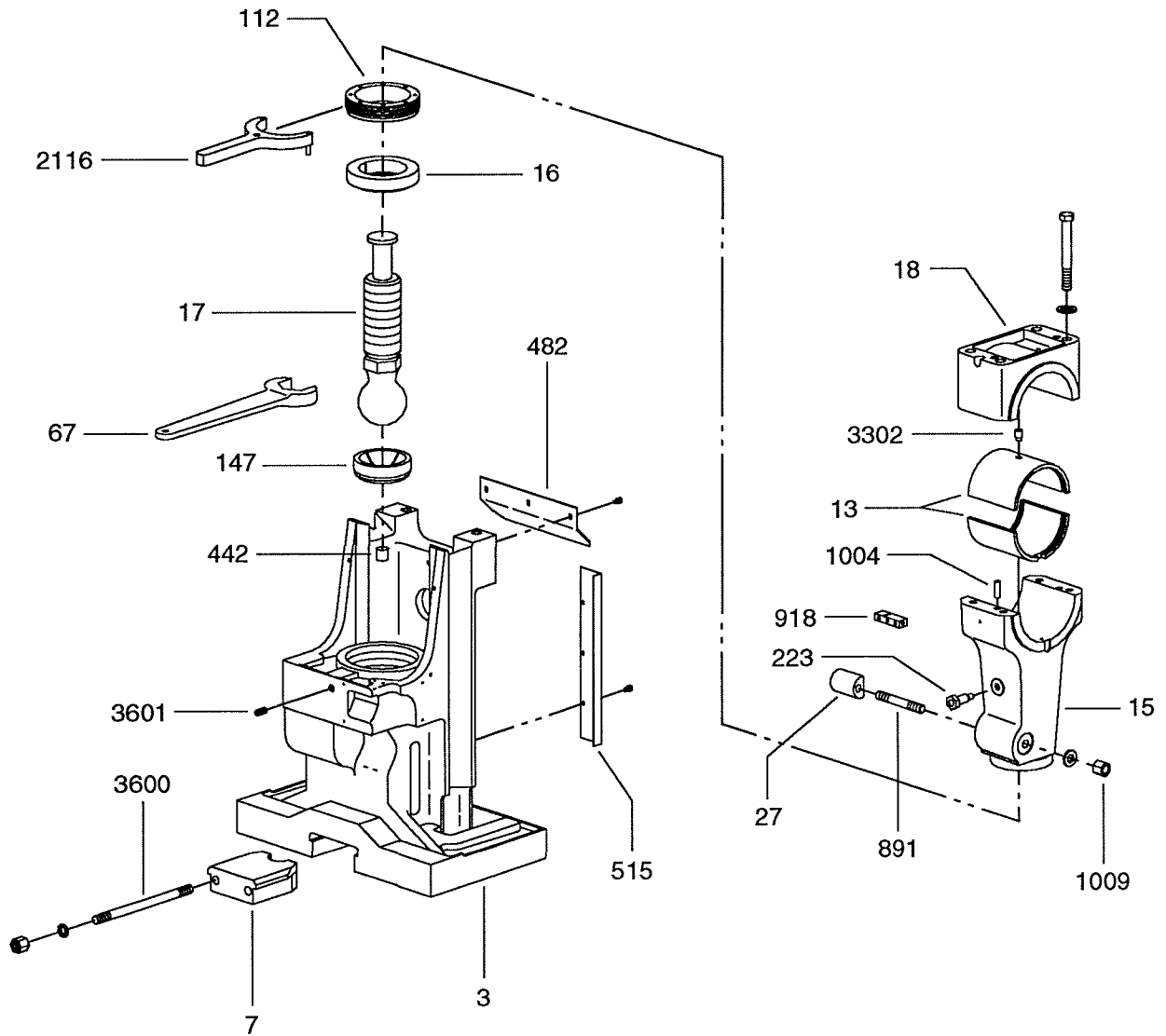
WHEN ORDERING PARTS

- Specify serial number of MINSTER press.
- Specify name and quantity of part.
- Specify figure and item number of part.
- Specify how and where to ship.

**REF. FIGURE 1012B
INCLINING MECHANISM PARTS LIST**

Fig. & Key Number	Part Name	Qty.
1012B-28	Leg	2
1012B-293	Inclining Arm Bracket	1
1012B-295	Leg Spacer	1
1012B-310	Bracket Pivot Pin	1
1012B-720	Inclining Jack	1
1012B-721	Crank Handle	1
1012B-722	Leg Inclining Pin	1
1012B-737	Front Frame Bolt	2
1012B-738	Frame Bolt	2

FIGURE 340B — MANUAL SLIDE ADJUSTMENT PARTS



WHEN ORDERING PARTS

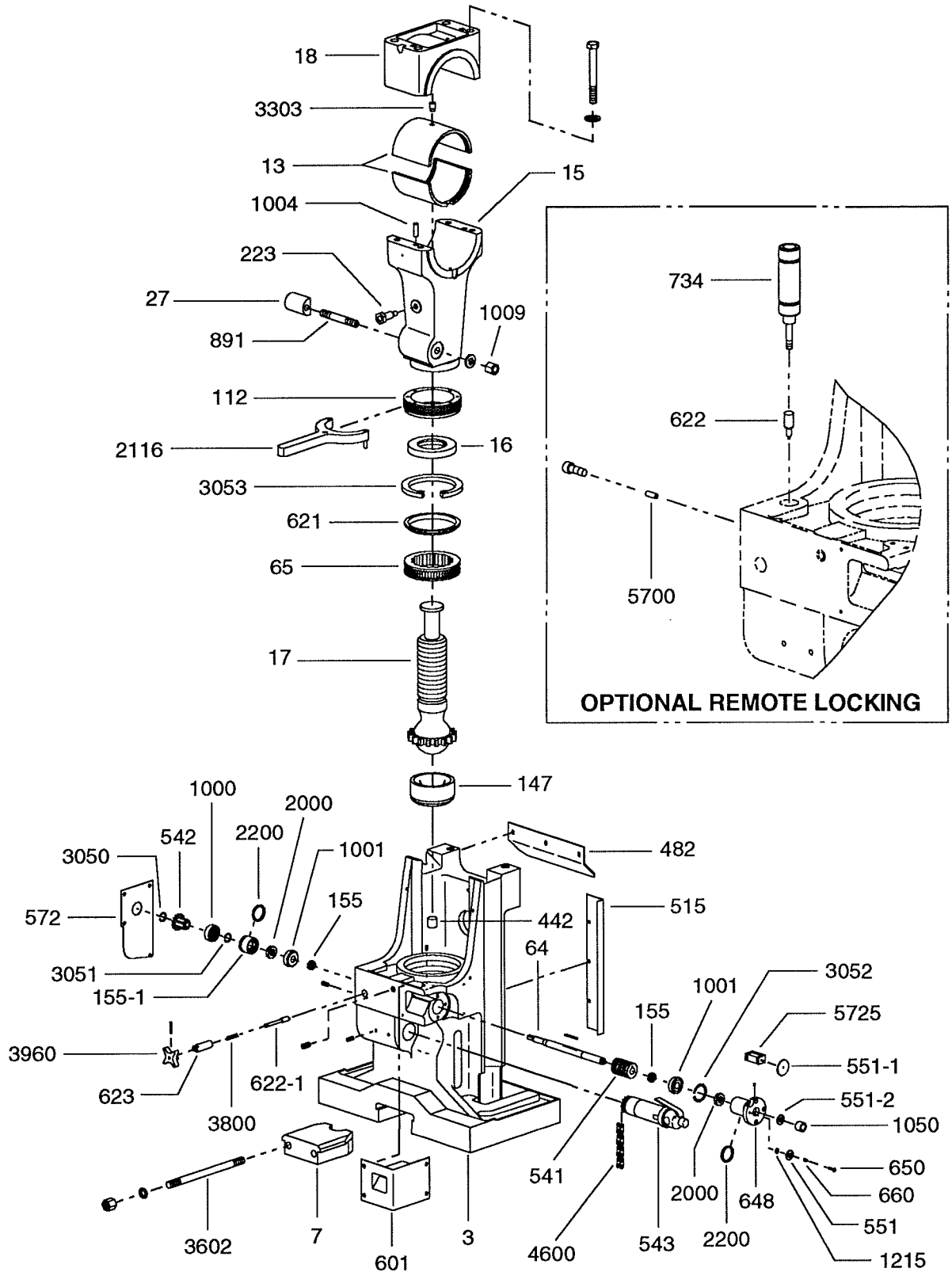
- | | |
|--|--|
| <ul style="list-style-type: none"> • Specify serial number of MINSTER press. • Specify figure and item number of part. | <ul style="list-style-type: none"> • Specify name and quantity of part. • Specify how and where to ship. |
|--|--|

REF. FIGURE 340B
MANUAL SLIDE ADJUSTMENT PARTS LIST

Fig. & Key Number	Part Name	Qty.
340B-3	Slide	1
340B-7 (1)	Slide Cap	1
340B-13	Connection Bushing	1
340B-15	Connection	1
340B-16	Ball Bushing	1
340B-17	Connection Screw	1
340B-18	Connection Cap	1
340B-27	Connection Screw Clamp Plug	1
340B-67	Connection Screw Wrench	1
340B-112	Ball Box Adjusting Nut	1
340B-147	Slide Bushing	1
340B-223	Connection Screw Stop	1
340B-442	Slide Plug	1
340B-482	Slide Oil Splash Guard	1
340B-515	Slide Oil Trough	2
340B-891	Connection Clamp Stud	1
340B-918	Connection Lube Block	1
340B-1004	Drivelok Pin	2
340B-1009	Hex. High Nut	1
340B-2116	Ball Box Adjusting Nut Wrench	1
340B-3302	Bushing Pin	1
340B-3600	Stud	2
340B-3601	Socket Set Screw	1

(1) Optional parts.

FIGURE 341B — MOTORIZED SLIDE ADJUSTMENT PARTS



OPTIONAL REMOTE LOCKING

WHEN ORDERING PARTS

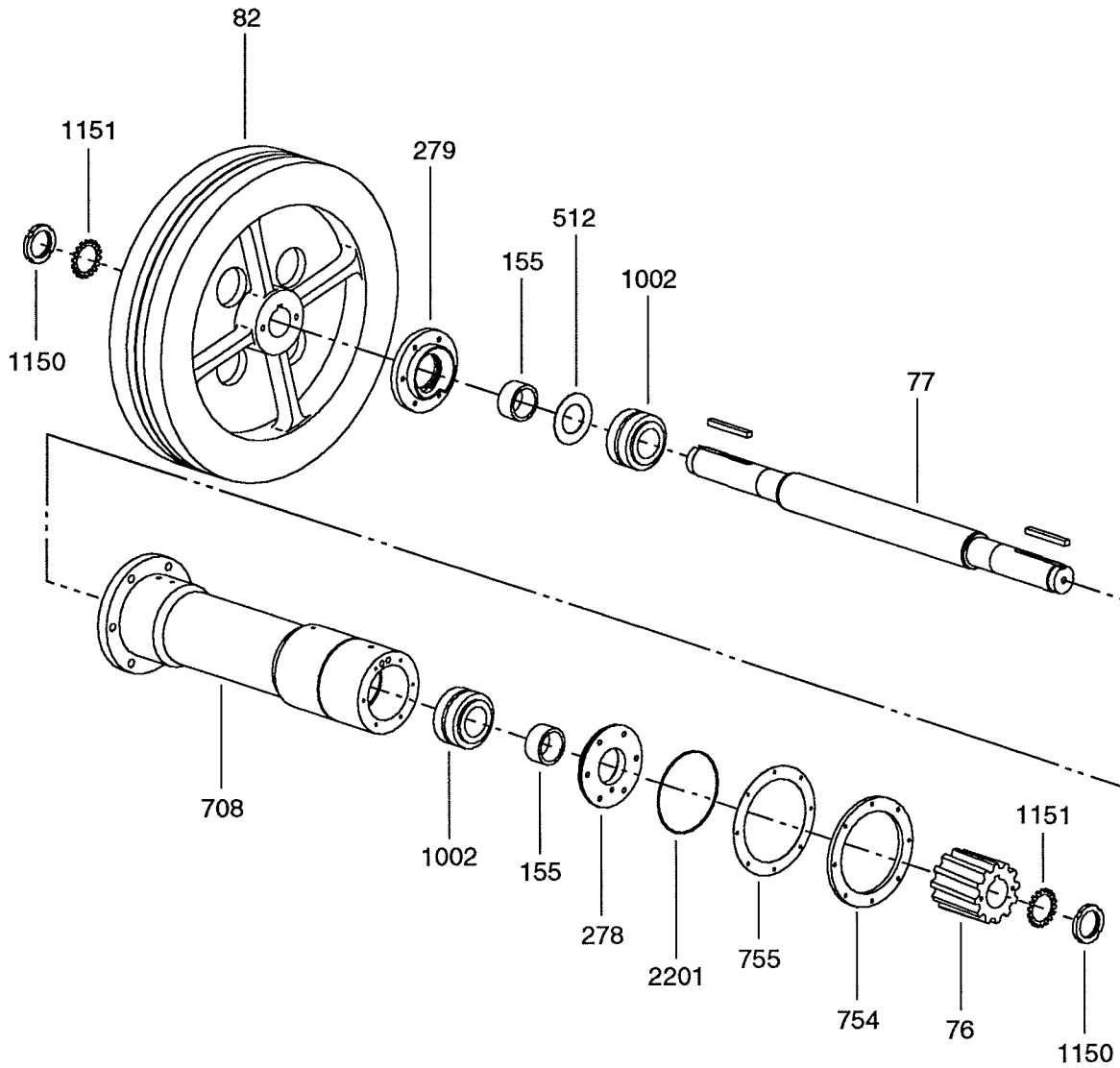
- Specify serial number of MINSTER press.
- Specify name and quantity of part.
- Specify figure and item number of part.
- Specify how and where to ship.

REF. FIGURE 341B
MOTORIZED SLIDE ADJUSTMENT PARTS LIST

Fig. & Key Number	Part Name	Qty.	Fig. & Key Number	Part Name	Qty.
341B-3	Slide	1	341B-622-1	Worm Shaft Lock	1
341B-7 ⁽¹⁾	Slide Cap	1	341B-623	Shaft Lock Guide	1
341B-13	Connection Bushing	1	341B-648	S.A. Bearing Cap	1
341B-15	Connection	1	341B-650	Center Idler Gear Pin	1
341B-16	Ball Bushing	1	341B-660	Sleeve Bushing	1
341B-17	Connection Screw	1	341B-734 ⁽¹⁾	Air Cylinder	1
341B-18	Connection Cap	1	341B-891	Connection Clamp Stud	1
341B-27	Connection Screw Clamp Plug	1	341B-1000	Bearing	1
341B-64	S.A. Worm Shaft	1	341B-1001	Bearing	2
341B-65	S.A. Worm Gear	1	341B-1004	Drivelok Pin	2
341B-112	Ball Box Adjust Nut	1	341B-1009	Hex. High Nut	1
341B-147	Slide Bushing	1	341B-1050	Bushing	1
341B-155	Bearing Spacer	2	341B-1215	Washer	1
341B-155-1	Bearing Spacer	1	341B-2000	Oil Seal	2
341B-223	Connection Screw Stop	1	341B-2116	Spanner Wrench Assembly	1
341B-442	Slide Plug	1	341B-2200	"O" Ring	2
341B-482	Slide Oil Splash Guard	1	341B-3050	Retainer External Ring	1
341B-515	Slide Oil Trough	2	341B-3051	Retainer Internal Ring	1
341B-541	Slide Adjust Worm	1	341B-3052	Retainer External Ring	1
341B-542	Sprocket	1	341B-3053	Retainer Internal Ring	1
341B-543	S.A. Air Motor	1	341B-3303	Bushing Pin	1
341B-551	Indicator Gear	1	341B-3602 ⁽¹⁾	Stud	2
341B-551-1	Indicator Gear	1	341B-3800	Worm Lock Spring	1
341B-551-2	Indicator Gear	1	341B-3960	Hand Knob	1
341B-572	Slide Adjusting Cover	1	341B-4600	Chain	1
341B-601	Indicator Gear Cover	1	341B-5700 ⁽¹⁾	Brass Plug	1
341B-621	Worm Gear Retainer	1	341B-5725	Counter	1
341B-622 ⁽¹⁾	Worm Shaft Lock	1			

⁽¹⁾ Optional parts.

FIGURE 1013B — DRIVESHAFT PARTS (GEARED TYPE)



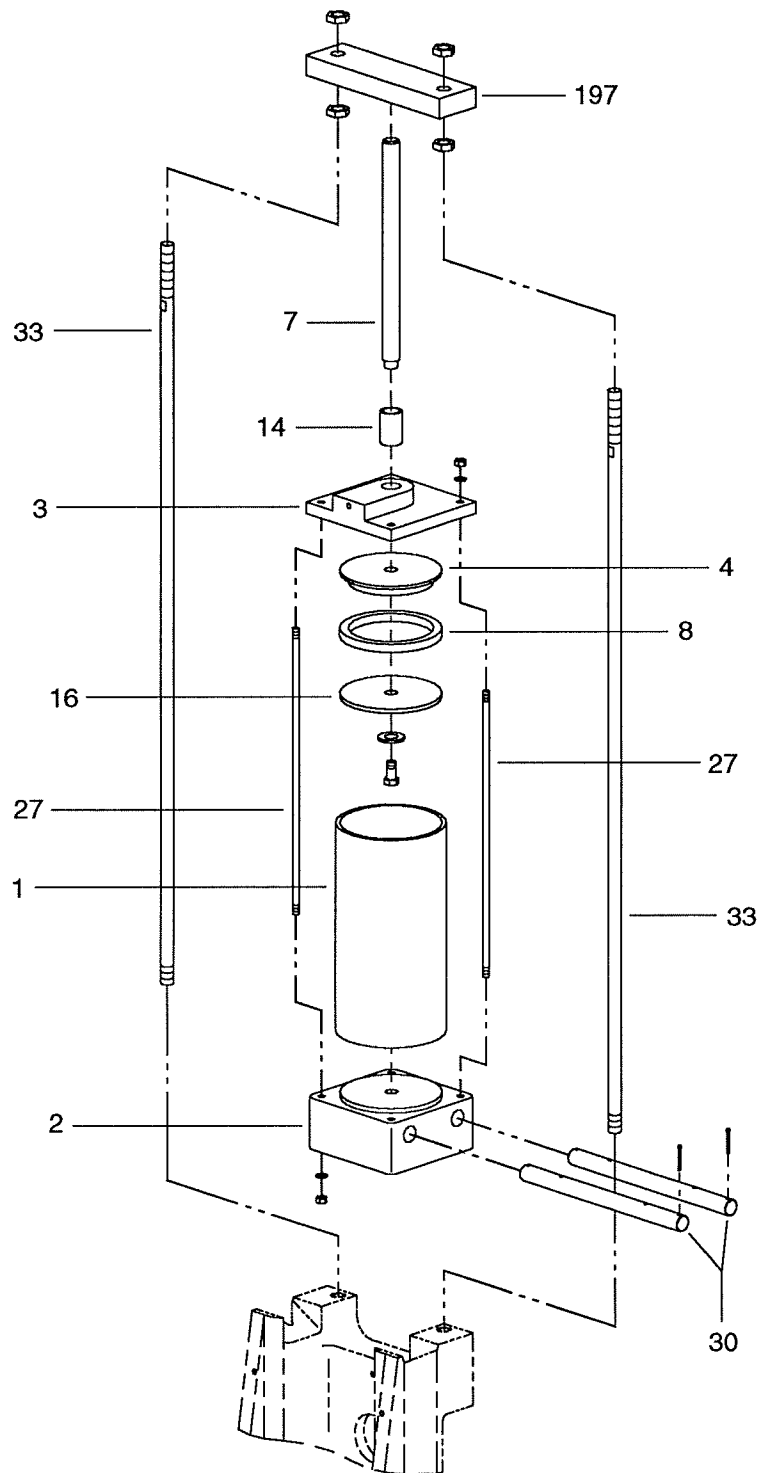
WHEN ORDERING PARTS

- Specify serial number of MINSTER press.
- Specify name and quantity of part.
- Specify figure and item number of part.
- Specify how and where to ship.

**REF. FIGURE 1013B
DRIVESHAFT PARTS LIST (GEARED TYPE)**

Fig. & Key Number	Part Name	Qty.
1013B-76	Drive Pinion	1
1013B-77	Driveshaft	1
1013B-82	Flywheel	1
1013B-155	Bearing Spacer	2
1013B-278	Bearing Retainer Clamp	1
1013B-279	Bearing Cup Clamp	1
1013B-512	Retainer	1
1013B-708	Bearing Housing Quill	1
1013B-754	Quill Seal Plate	1
1013B-755	Quill Seal Gasket	1
1013B-1002	Bearing	2
1013B-1150	Locknut	2
1013B-1151	Lockwasher	2
1013B-2201	"O" Ring	1

FIGURE 433B — COUNTERBALANCE PARTS (TRUNNION MTD.)



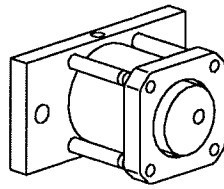
WHEN ORDERING PARTS

- Specify serial number of MINSTER press.
- Specify name and quantity of part.
- Specify figure and item number of part.
- Specify how and where to ship.

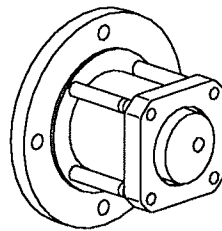
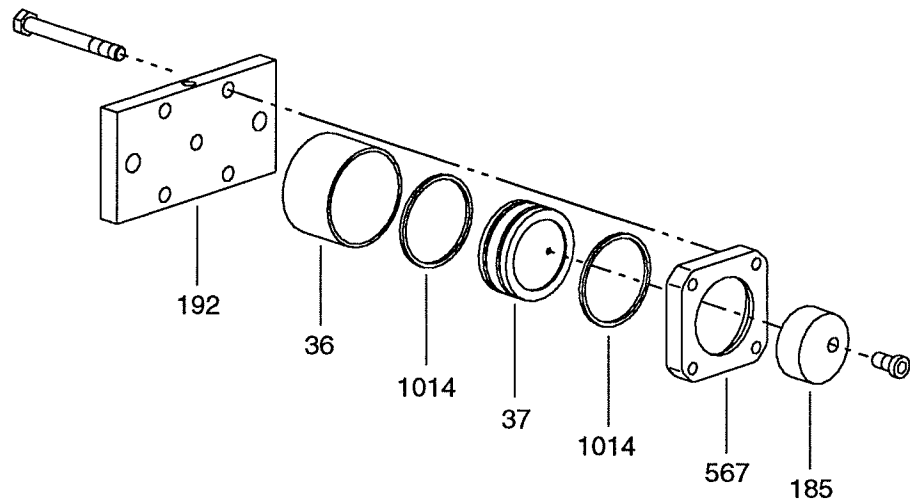
REF. FIGURE 433B
COUNTERBALANCE PARTS LIST (TRUNNION MTD.)
(N/A On SuperSpeed SuperStock Press)

Fig. & Key Number	Part Name	Qty.
433B-1	Air Cylinder	1
433B-2	Air Cylinder Head	1
433B-3	Air Cylinder Cover	1
433B-4	Air Cylinder Piston	1
433B-7	Piston Rod	1
433B-8	Cylinder Packing	1
433B-14	Piston Rod Bushing	1
433B-16	Piston Plate	1
433B-27	Cylinder Tie Rod	4
433B-30	Air Cylinder Head Pin	2
433B-33	Counterbalance Rod	2
433B-197	Counterbalance Plate	1

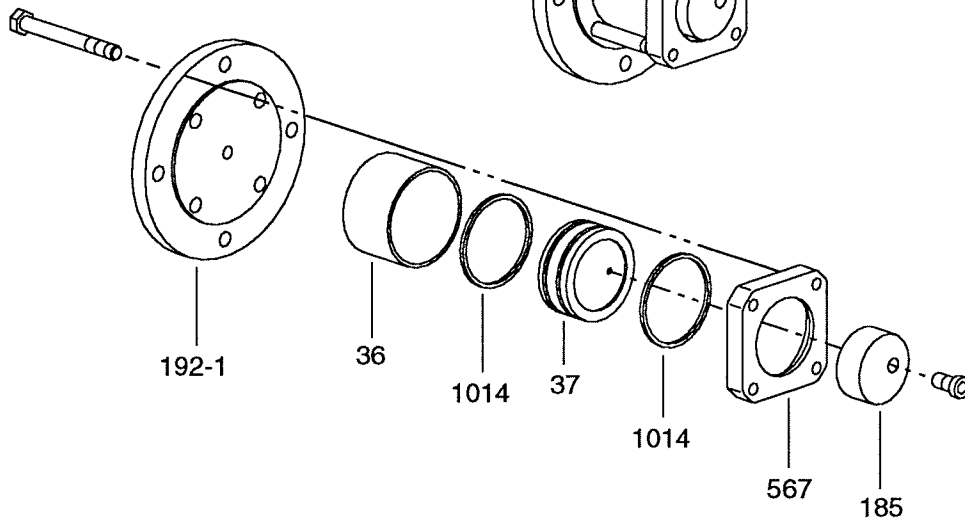
FIGURE 434B — FLYWHEEL BRAKE PARTS



Flywheel Type



Geared Type



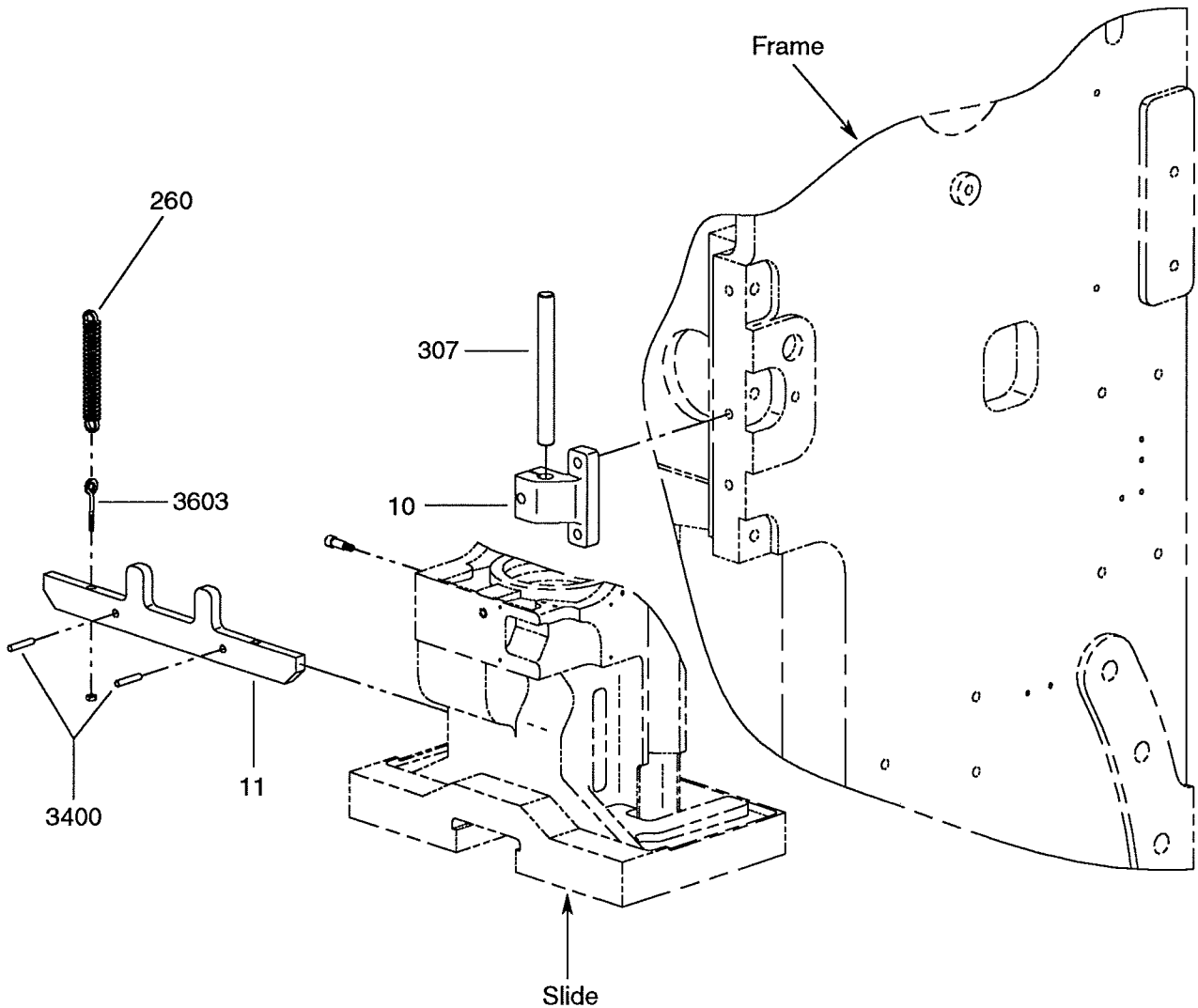
WHEN ORDERING PARTS

- Specify serial number of MINSTER press.
- Specify name and quantity of part.
- Specify figure and item number of part.
- Specify how and where to ship.

**REF. FIGURE 434B
FLYWHEEL BRAKE PARTS LIST**

Fig. & Key Number	Part Name	Qty.
434B-36	Flywheel Brake Housing	1
434B-37	Flywheel Brake Piston	1
434B-185	Flywheel Brake Shoe	1
434B-192	Brake Anchor Plate (Flywheel Type)	1
434B-192-1	Brake Anchor Plate (Geared Type)	1
434B-567	End Plate Cover	1
434B-1014	Quad-X Ring	2

FIGURE 708A — KNOCKOUT PARTS



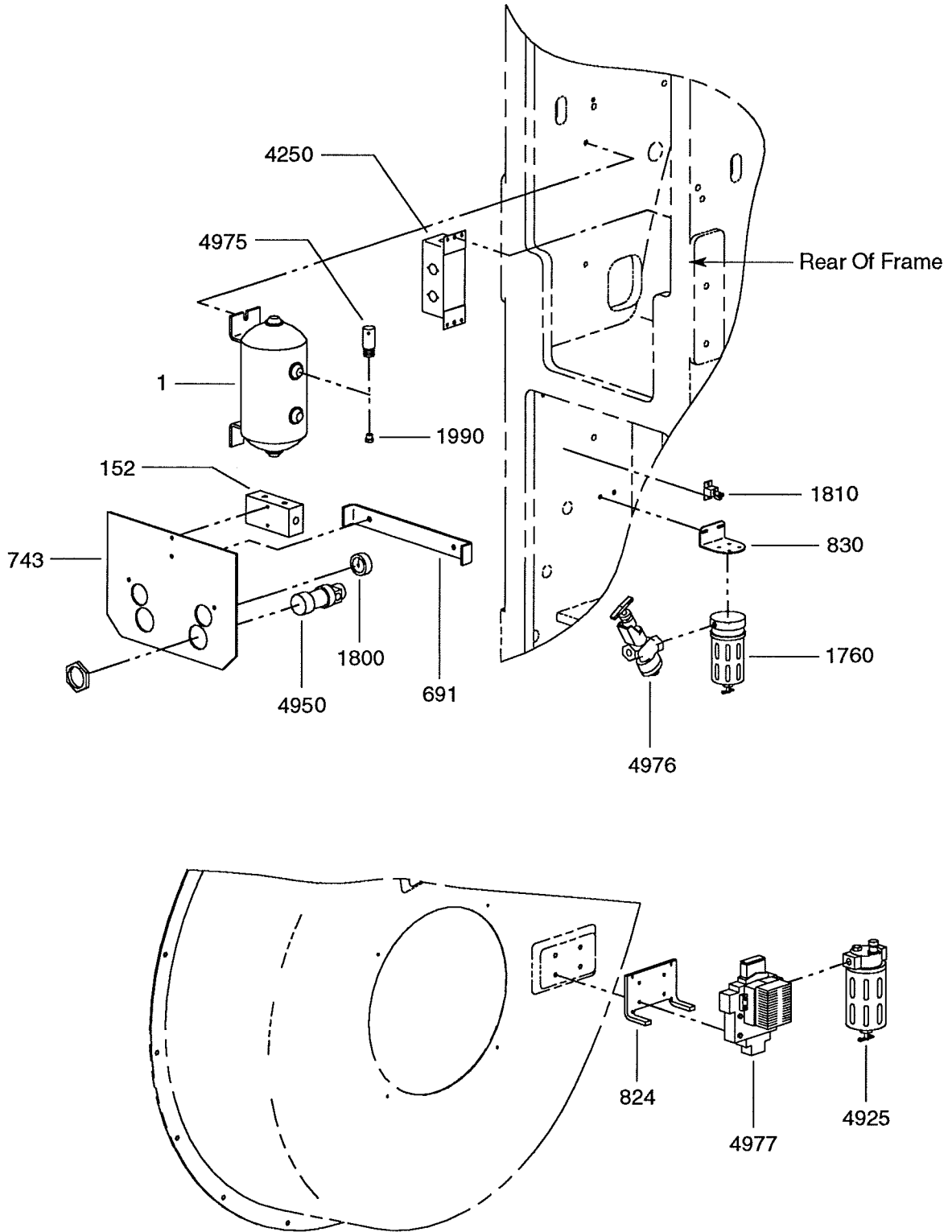
WHEN ORDERING PARTS

- Specify serial number of MINSTER press.
- Specify name and quantity of part.
- Specify figure and item number of part.
- Specify how and where to ship.

**REF. FIGURE 708A
KNOCKOUT PARTS LIST**

Fig. & Key Number	Part Name	Qty.
708A-10	Knockout Bracket	1
708A-11	Knockout Bar	1
708A-260	Extension Spring	2
708A-307	Knockout Rod	2
708A-3400	Dowel Pin	2
708A-3603	Knockout Eyebolt	2

FIGURE 486A — MISCELLANEOUS PARTS



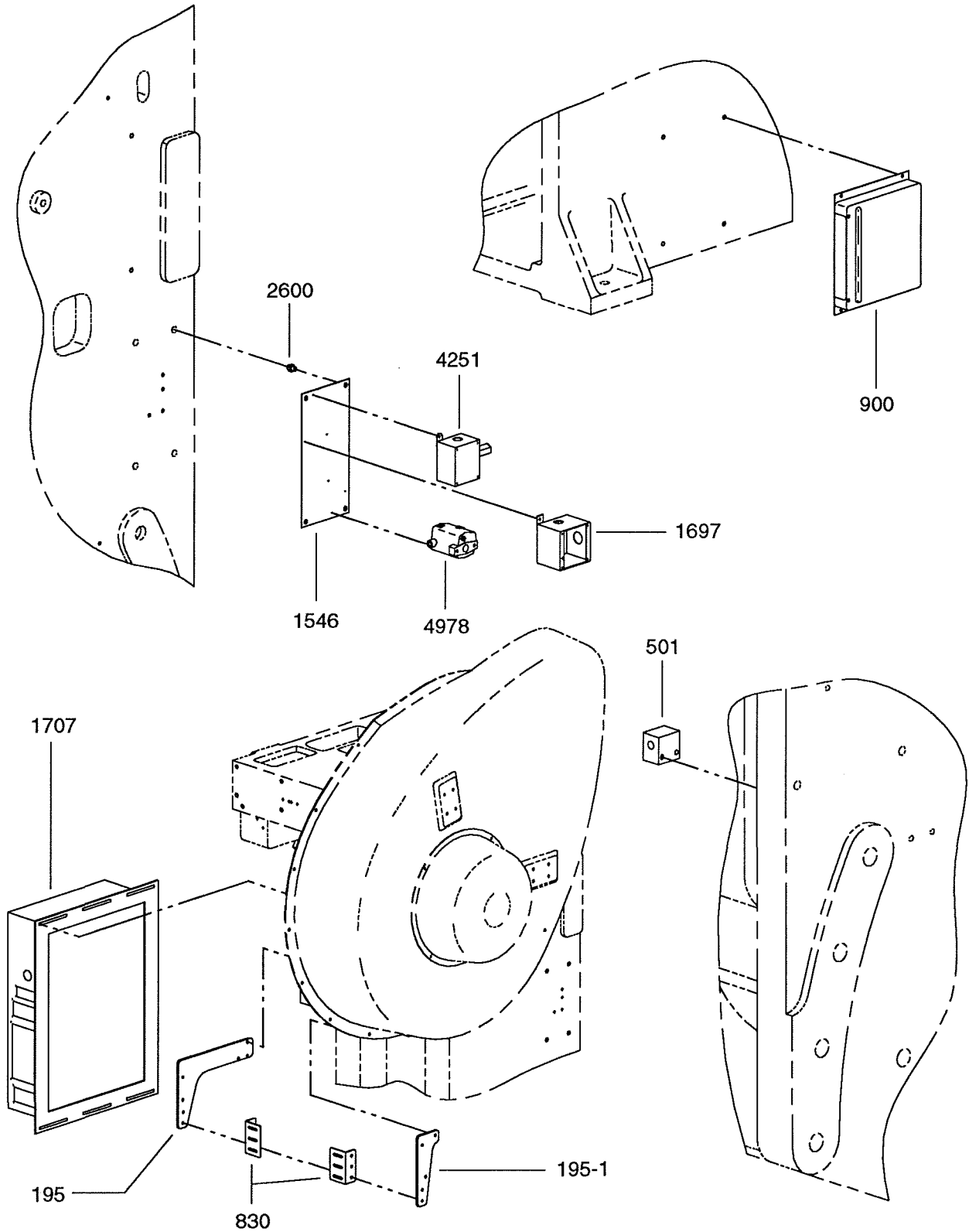
WHEN ORDERING PARTS

- Specify serial number of MINSTER press.
- Specify name and quantity of part.
- Specify figure and item number of part.
- Specify how and where to ship.

**REF. FIGURE 486A
MISCELLANEOUS PARTS LIST**

Fig. & Key Number	Part Name	Qty.
486A-1	Air Tank	1
486A-152	Manifold	1
486A-691	Manifold Bracket	1
486A-743	Pneumatic Panel	1
486A-824	Valve Bracket	1
486A-830	Filter Mounting Bracket	1
486A-1760	Air Filter	1
486A-1800	Air Pressure Gauge	1
486A-1810	Air Cock	1
486A-1990	Fusible Plug	1
486A-4250	Pressure Switch Assembly (Clutch & Counterbalance)	1
486A-4925	Air Line Lubricator	1
486A-4950	Regulator	1
486A-4975	Pop Safety Valve	1
486A-4976	Air Lockout Valve	1
486A-4977	Solenoid Valve (Clutch)	1

FIGURE 487A — MISCELLANEOUS PARTS



WHEN ORDERING PARTS

- Specify serial number of MINSTER press.
- Specify name and quantity of part.
- Specify figure and item number of part.
- Specify how and where to ship.

**REF. FIGURE 487A
MISCELLANEOUS PARTS LIST**

Fig. & Key Number	Part Name	Qty.
487A-195	Control Button Mounting Bracket	1
487A-195-1	Control Button Mounting Bracket	1
487A-501	Drain Block	1
487A-830	Control Button Mounting Bracket	2
487A-900	Service Manual Pocket	1
487A-1546 ⁽¹⁾	Flywheel Brake Plate	1
487A-1697 ⁽¹⁾	Flywheel Brake Box	1
487A-1707	Panel Box	1
487A-2600 ⁽¹⁾	Shear Mount	4
487A-4251 ⁽¹⁾	Pressure Switch	1
487A-4978 ⁽¹⁾	3-Way Solenoid Valve	1

⁽¹⁾ Optional parts.

MINSTER®

The Minster Machine Company, Minster, Ohio 45865
Phone: (419) 628-2331 / Telex: 687-4234 / Fax: 419-628-3517

Distributors strategically located throughout the world.

MMC0494

MINSTER®

The Minster Machine Company, Minster, Ohio 45865
Phone: (419) 628-2331 / Telex: 687-4234 / Fax: 419-628-3517

Distributors strategically located throughout the world.