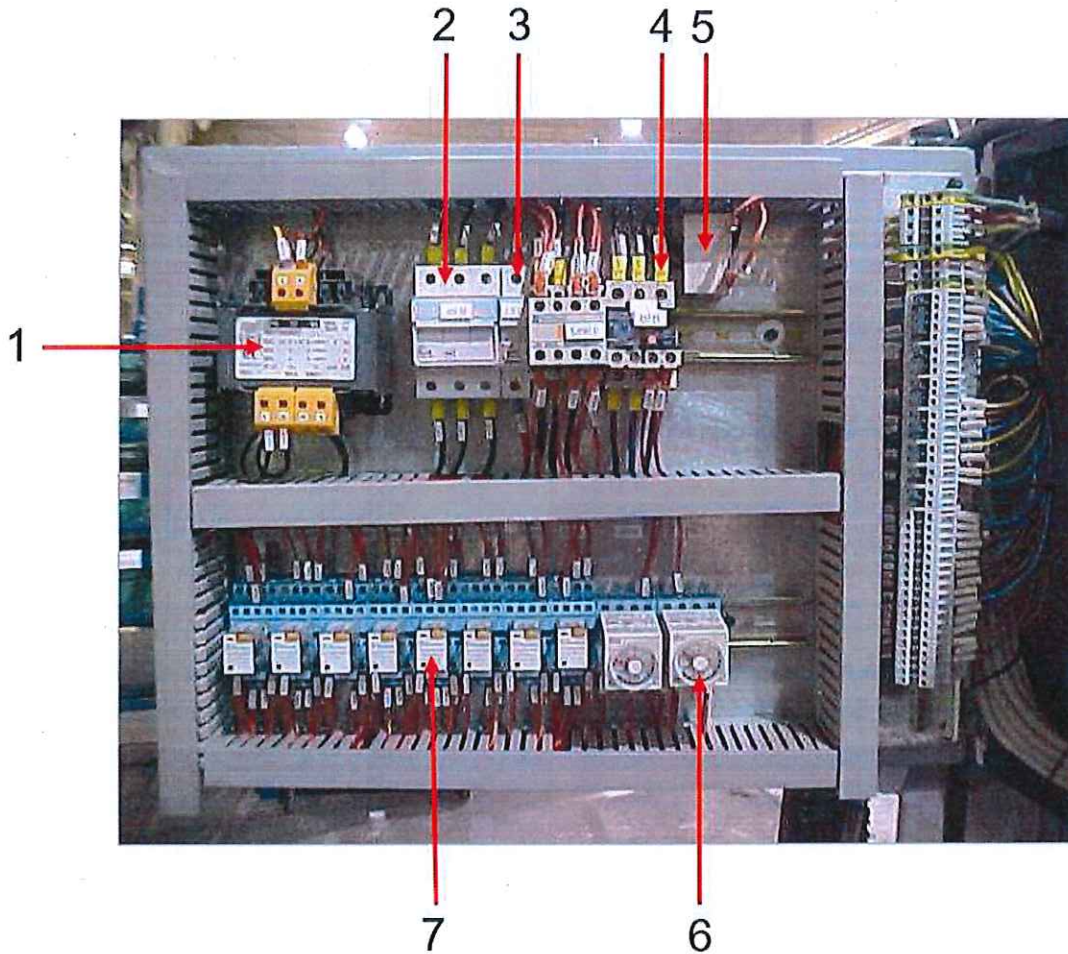
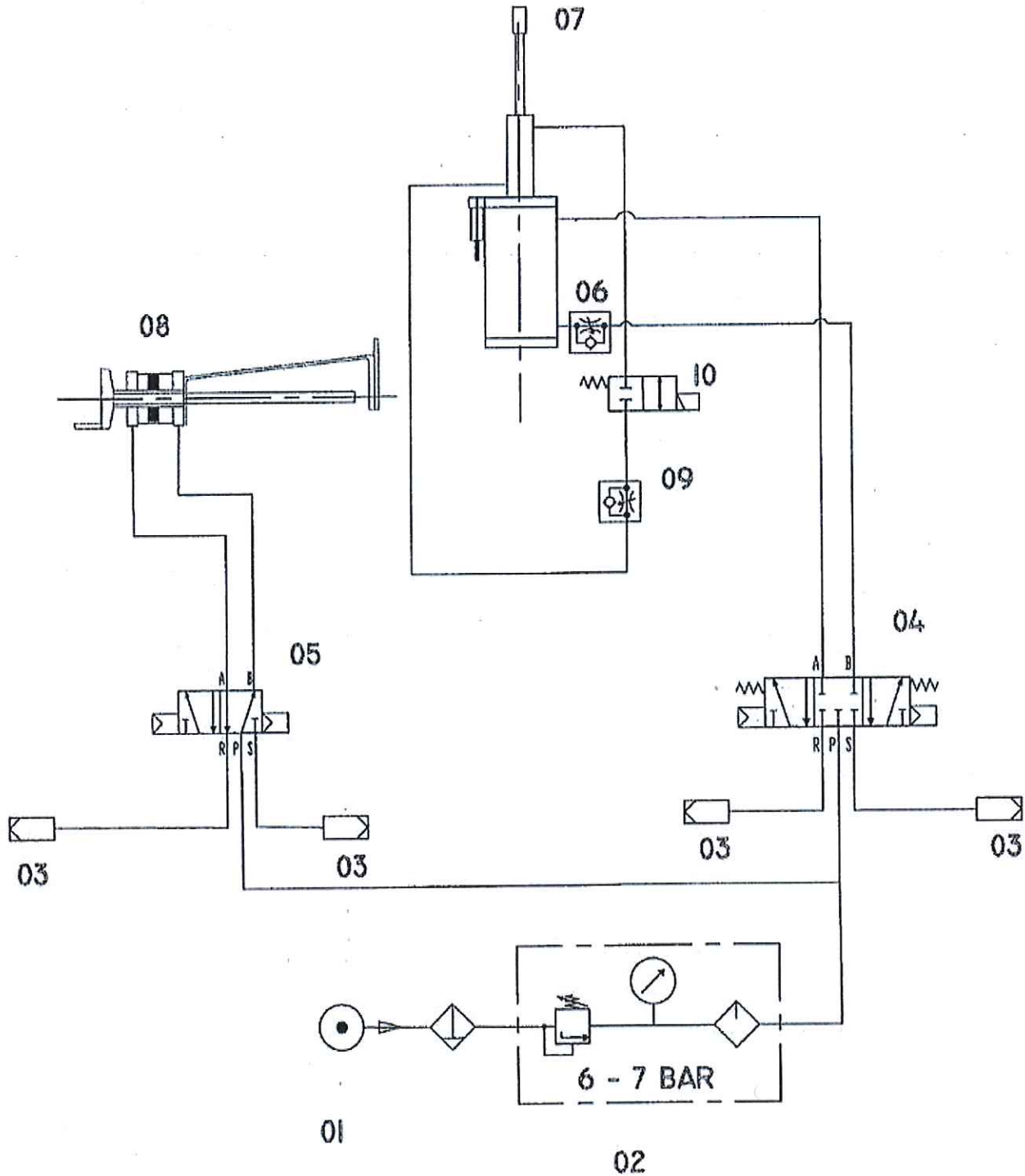


## ELECTRICAL COMPONENTS



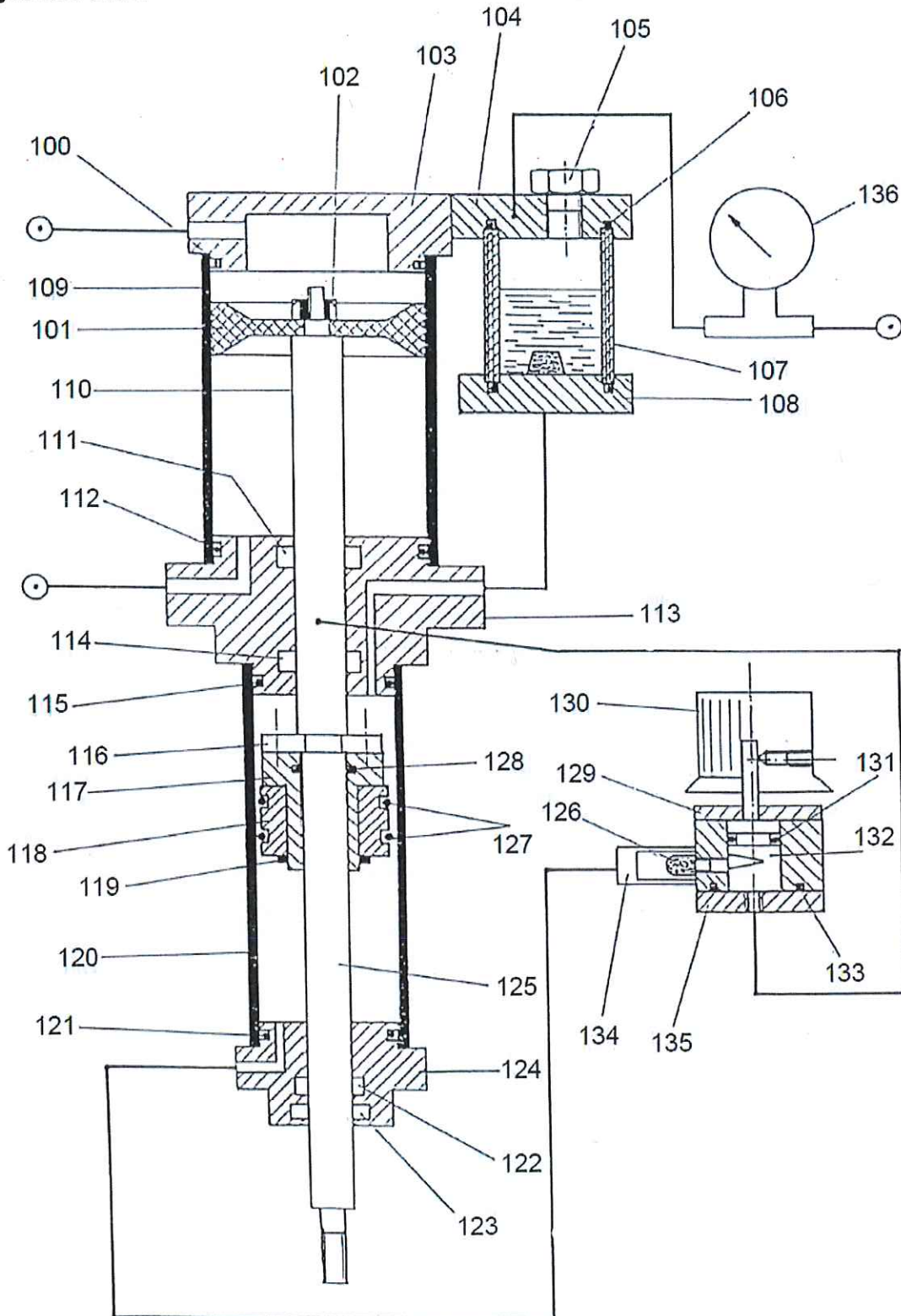
| Pos. Number | Part No. | Description  |
|-------------|----------|--|
| 1           | 300210   | Transformer, Duel Voltage 150VA                    |
| 2           | 77526    | Fuse, 15 Amp                                       |
|             | 77523    | Fuse, 2 Amp  |
| 3           | 300203   | Fuse Holder – Swing Out                            |
| 4           | 300603   | Overload Relay                                     |
|             | 301824   | Overload Holder                                    |
| 5           | 300213   | Coil, Inductive Pick-up for blade protection units |
| 6           | 300208   | Dwell Timer  |
| 7           | 300209   | Relay  |
|             | 300302   | Empty Electrical Box 370S                          |

**PNEUMATIC SYSTEM SCHEMATICS**



## EXPLODED VIEWS AND PART LISTS

### Head Cylinder Unit:





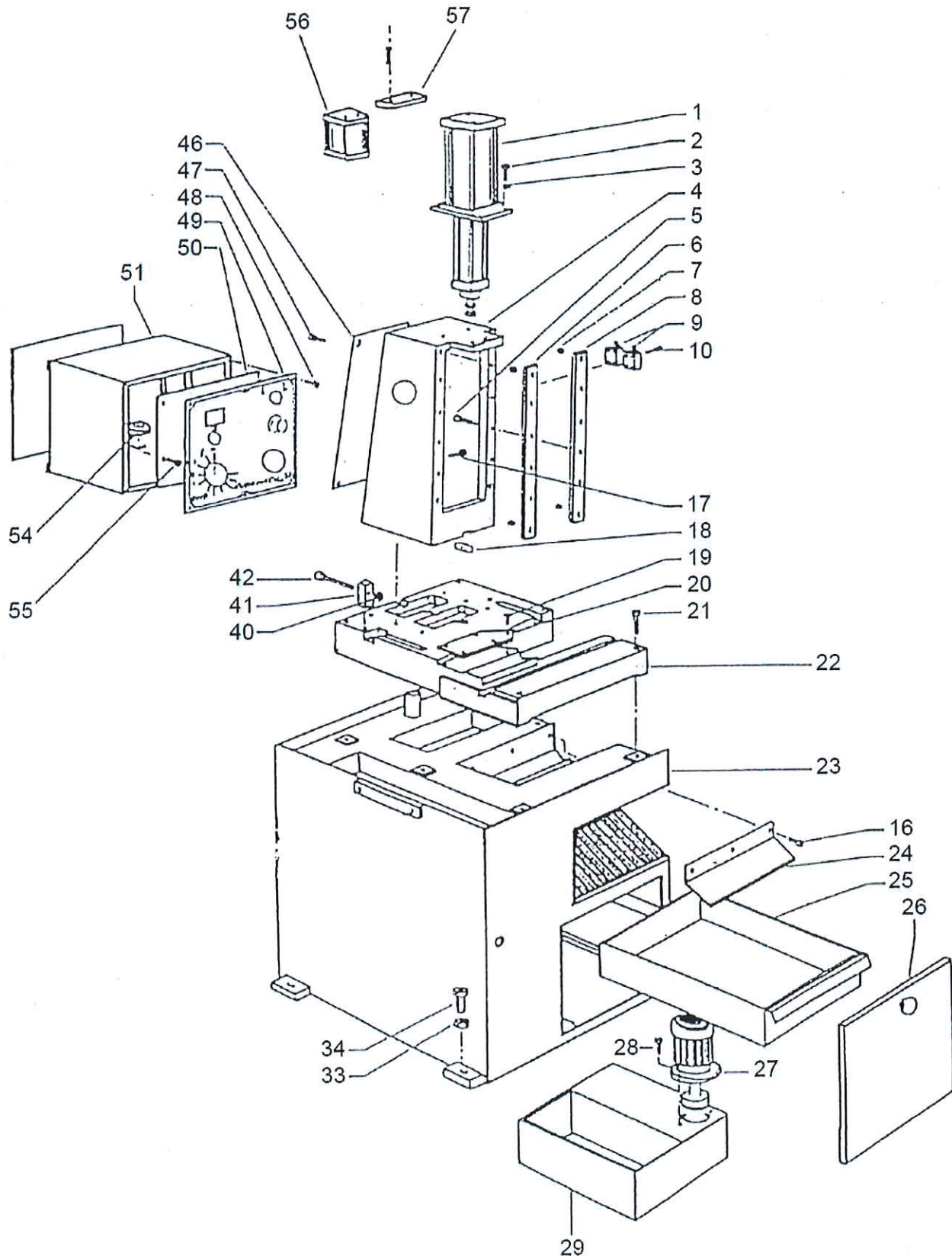


Dake Corporation  
 1809 Industrial Park Dr  
 Grand Haven, MI 49417  
[www.dakecorp.com](http://www.dakecorp.com)

**Head Cylinder Unit:**

| <u>Item</u>  | <u>Part Name</u>     | <u>Part No.</u> |
|--|----------------------|-----------------|
| 100  | Gasket               |                 |
| 101  | Gasket               |                 |
| 102*   | Nut                  |                 |
| 103  | Cylinder Head        |                 |
| 104  | Tank Head            |                 |
| 105  | Plug                 |                 |
| 106  | Gasket – 2 pieces    | 11558           |
| 107  | Transparent Pipe     | 300273          |
| 108  | Tank Bottom          |                 |
| 109  | Pipe                 |                 |
| 110  | Chromium Plated Rod  |                 |
| 111  | Gasket               |                 |
| 112  | Gasket               |                 |
| 113  | Central Head         |                 |
| 114  | Gasket               |                 |
| 115  | Gasket               |                 |
| 116*   | Washer               | 302164          |
| 117*   | Bushing              |                 |
| 118*   | Small Piston         |                 |
| 119*   | Seeger Ring          |                 |
| 120  | Pipe                 |                 |
| 121  | Gasket               |                 |
| 122  | Gasket               |                 |
| 123  | Scraper Ring         |                 |
| 124  | Brake Head           |                 |
| 125  | Chromium Plated Head |                 |
| 126  | Filter               |                 |
| 127  | Gasket               |                 |
| 128  | Gasket               |                 |
| 129  | Flange               |                 |
| 130  | Panel                |                 |
| 131  | Gasket               |                 |
| 132  | Adjusting Shaft      |                 |
| 133  | Gasket               |                 |
| 134  |                      |                 |
| 135  |                      |                 |
| 136  | Pressure Gauges      |                 |
| Complete Cylinder  |                      | 301332          |
| * Cylinder Repair Kit (Items: 101, 106, 111, 112, 114, 115, 122, 123, 126, 127, 128, 131, 133) |                      | 300155          |

**Bedplate Unit:**



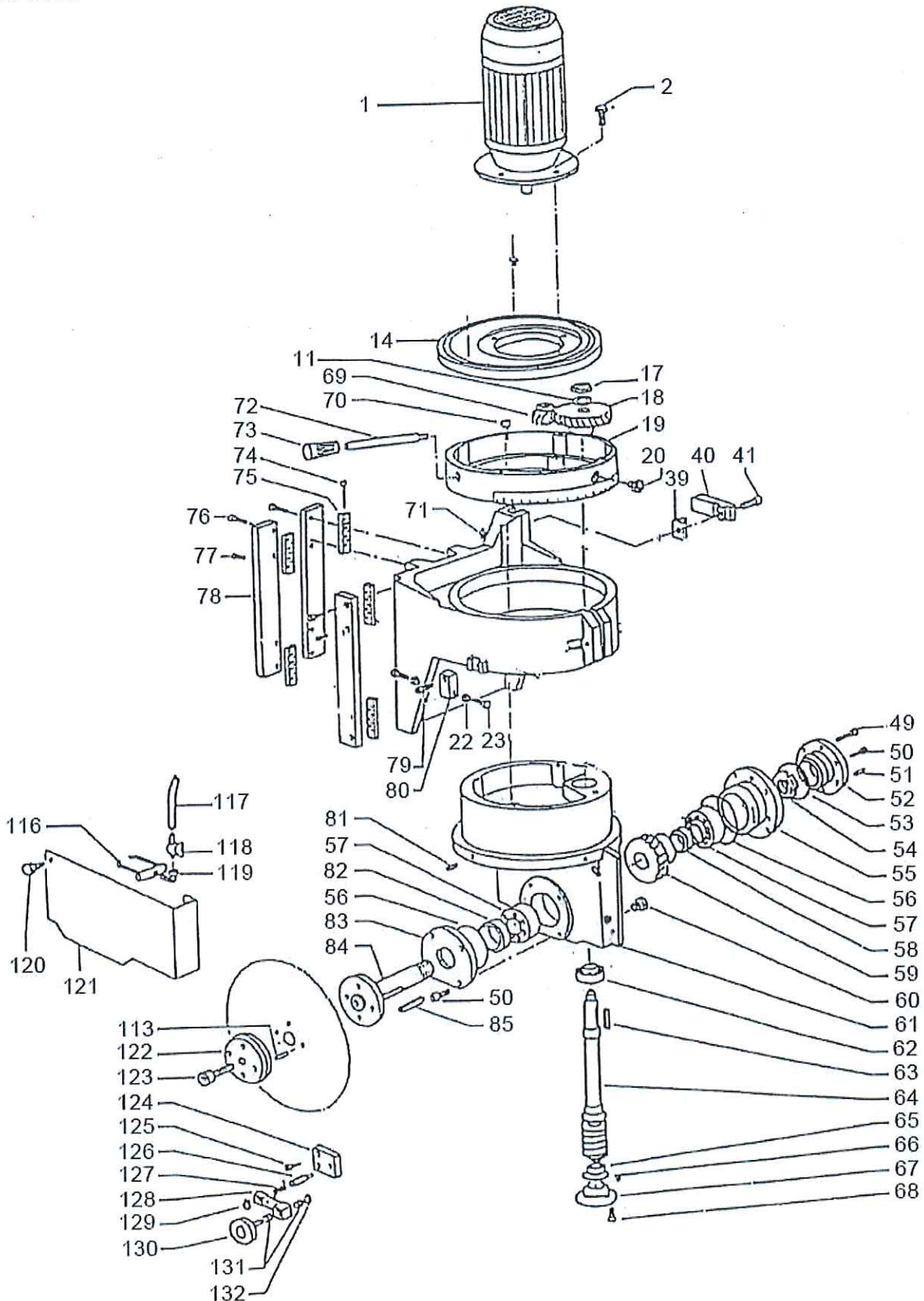


**Bed Plate Unit:**

| <u>Item</u> | <u>Part Name</u>                         | <u>Part No.</u> |
|-------------|--|-----------------|
| 1           | Head Piston                              |                 |
| 2           | Screw                                    |                 |
| 3           | Washer                                   |                 |
| 4           | Column                                   |                 |
| 5           | Screw                                    |                 |
| 6           | Left Guide                               |                 |
| 7           | Bushing                                  |                 |
| 8           | Right Guide                              |                 |
| 9           | Limit Switch                             | 300211          |
| 10          | Screw                                    |                 |
| 16          | Screw                                    |                 |
| 17          | Screw                                    |                 |
| 18          | Keyway                                   |                 |
| 19          | Screw                                    |                 |
| 20          | Blade                                    |                 |
| 20          | Blade – Right Hand                       | 300201          |
| 21          | Socket Head Cap Screw (M12-1.75 x 110mm) | 78824           |
| 22          | Base                                     |                 |
| 23          | Bedplate                                 |                 |
| 24          | Chute                                    |                 |
| 25          | Tank                                     |                 |
| 26          | Cap                                      |                 |
| 27          | Motor Pump                               | 300176          |
| 28          | Screw                                    |                 |
| 29          | Tank                                     |                 |
| 30          | Roller Chute Support (Not Shown)         |                 |
| 31          | Nut (Not Shown)                          |                 |
| 32          | Screw (Not Shown)                        |                 |
| 33          | Nut                                      |                 |
| 34          | Sleeve                                   |                 |
| 35          | Screw (Not Shown)                        |                 |
| 36          | Set Screw (Not Shown)                    |                 |
| 40          | Nut                                      |                 |
| 41          | Vise Adjustment Block                    |                 |
| 42          | Screw                                    |                 |
| 46          | Exhaust Chute                            | 300230          |
| 47          | Screw                                    |                 |
| 48          | Screw                                    |                 |
| 49          | Control Panel                            |                 |
| 50          | Electric Panel                           |                 |
| 51          | Electric Case                            |                 |
| 54          | Nut                                      |                 |
| 55          | Screw                                    |                 |
|             | Complete Electrical Box                  | 300690          |
|             | Electrical Box Only                      | 300692          |
|             | Main Power Push Button                   | 300824          |
| 56          | Reservoir                                |                 |
| 57          |  |                 |



**Head Unit:**





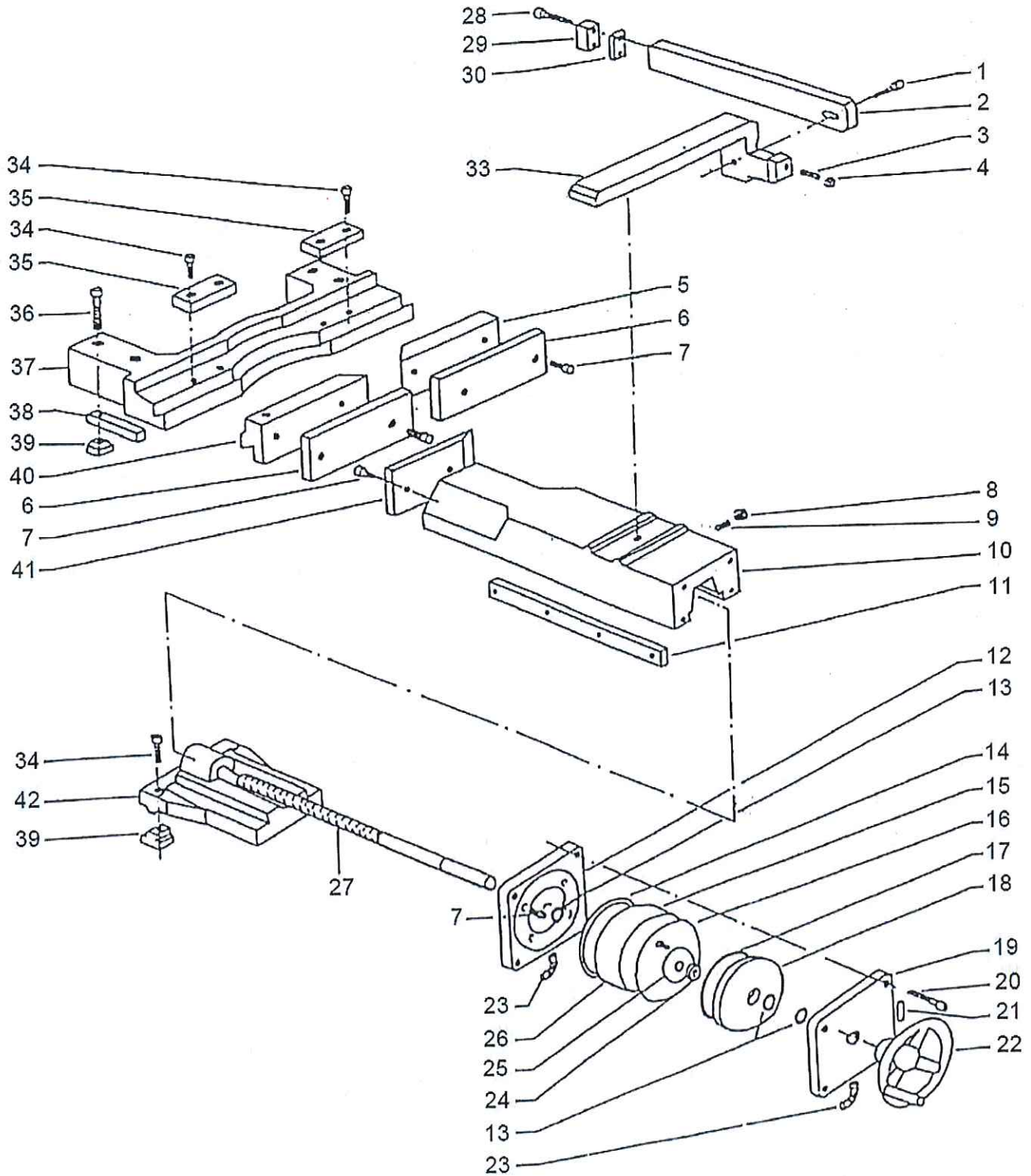
**Head Unit:**

| <u>Item</u> | <u>Part Name</u>                   | <u>Part No.</u>     |
|-------------|------------------------------------|---------------------|
| 1           | Motor 220V                         | 300117              |
| 2           | Screw                              |                     |
| 7           | Stopping Block (Not Shown)         |                     |
| 11          | Washer                             | 301336              |
| 14          | Head Ring                          |                     |
| 16          | Screw (Not Shown)                  |                     |
| 17          | Nut                                | 300239 or<br>300675 |
| 18          | Gear (300675 old)                  | 300230              |
| 19          | Cover                              |                     |
| 20          | Oil Level Plug                     |                     |
| 21          | Head Bearing (Not Shown)           |                     |
| 22          | Nut                                |                     |
| 23          | Screw                              |                     |
| 38          | Head Cylinder (Not Shown)          |                     |
| 39          | T-Nut                              | 301979              |
| 40          | End Stroke Flash - Cam             | 300202              |
| 41          | Screw, Handle (300612)             | 300354              |
| 42          | Bearing Pivot (Not Shown)          |                     |
| 43          | Screw (Not Shown)                  |                     |
| 44          | Pivot Bearing (Not Shown)          |                     |
| 46          | Closing Pivot (Not Shown)          |                     |
| 47          | Protection Carter (Not Shown)      |                     |
| 48          | Stopping Ring (Not Shown)          |                     |
| 49          | Socket Head Cap Screw (M12 x 12mm) | 78809               |
| 50          | Set Screw (8mm x 16mm)             | 81572               |
| 51          | Set Screw                          |                     |
| 52          | Bearing Cover                      |                     |
| 53          | Sealing Bearing                    | 5611                |
| 54          | Self-Locking Nut                   | 301335              |
| 55          | Bearing Cover                      |                     |
| 56          | Sealing Ring                       | 29637               |
| 57          | Bearing                            | 300686              |
| 58          | Spacer                             | 301338              |
| 59          | Helical Wheel 25/50 RPM            | 300676              |
| 59          | Helical Wheel 50/100 RPM           | 300677              |
| 60          | Oil Blow-off Plug                  |                     |
| 61          | Head                               |                     |
| 62          | Bearing                            | 300678              |
| 63          | Keyway                             | 301334              |
| 64          | Worm Screw 25/50 RPM               | 300680              |
| 64          | Worm Screw 50/100 RPM              | 300677              |

| <u>Item</u> | <u>Part Name</u>  | <u>Part No.</u> |
|-------------|---|-----------------|
| 65          | Bearing   | 300678          |
| 66          | Sealing Ring  | 300682          |
| 67          | Bearing Cover   | 301333          |
| 68          | Screw   |                 |
| 69          | Motor Gear (300683 old)   | 300238          |
| 70          | Screw (M5 x 8mmL)   | 78899           |
| 71          | Oiler   |                 |
| 72          | Head Rotation Lever   |                 |
| 73          | Lever Handle  |                 |
| 74          | Screw (M6-1.0 x 80mm)   | 300159          |
| 75          | Gib   | 300197          |
| 76          | Screw (M10-1.0 x 80mm)  | 300161          |
| 77          | Screw (M4-.07 x 25mm)   | 300162          |
| 78          | Gib Flat  | 300163          |
| 79          | Screw   |                 |
| 80          | Clamping Block  |                 |
| 81          | Elastic Plug  |                 |
| 82          | Bearing (Seal is 300434)  | 300684          |
| 83          | Cover   |                 |
| 84          | Blade Shaft   | 300435          |
| 85          | Keyway  | 301366          |
| 113         | Cylindrical Plug  | 300436          |
| 116         | Spout Breaking  | 300411          |
| 117         | Rubber Pipe   |                 |
| 118 & 119   | Coolant Valve & Fitting   | 300410          |
| 120         | Handwheel   |                 |
| 121         | Disk Repair   |                 |
| 122         | Blade Flange  | 300437          |
| 123         | Socket Head Cap Screw (M16-2.0 x 40mm)                                  | 300438          |
| 124*        | Brush Bearing   |                 |
| 125*        | Screw   |                 |
| 126*        | Bearing Pivot   |                 |
| 127*        | Spring  |                 |
| 128*        | Brush Level   | 300164          |
| 129*        | Stopping Ring   |                 |
| 130*        | Brush   | 300165          |
| 131*        | Bushing   | 300164          |
| 132*        | Stopping Ring   | 300164          |
|             | * Complete Brush Assembly (124, 125, 126, 127, 128, 129, 130, 131, 132) | 300626          |
|             | Complete Air Regulator Feeder   | 300694          |
|             | Air Regulator Only  | 300356          |
|             | Complete Head Assembly  | 300128          |



**Vise Unit:**



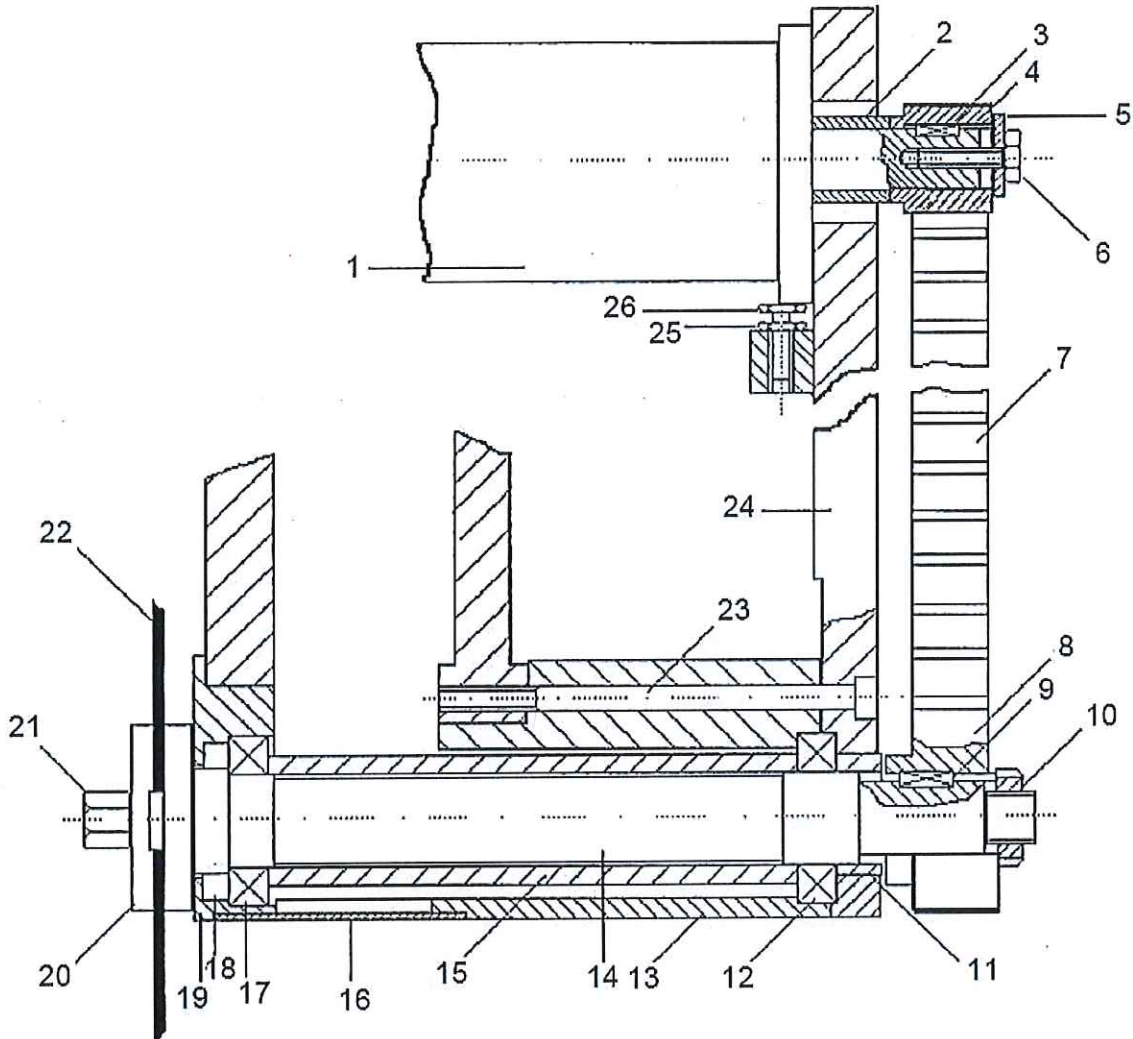


Dake Corporation  
 1809 Industrial Park Dr  
 Grand Haven, MI 49417  
[www.dakecorp.com](http://www.dakecorp.com)

**Vise Unit:**

| <u>Item</u> | <u>Part Name</u>                  | <u>Part No.</u> |
|-------------|-----------------------------------|-----------------|
| 1           | Screw                             |                 |
| 2           | Rod                               | 304036          |
| 3           | Set Screw                         |                 |
| 4           | Nut                               |                 |
| 5           | Right Jaw Holder                  | 300194          |
| 6           | Jaw                               | 300876          |
| 7*          | Socket Cap Screw (M8-1.25 x 20mm) | 80521           |
| 8           | Set Screw                         |                 |
| 10          | Vise Slider                       |                 |
| 11          | Gib                               |                 |
| 12*         | Slider Side Cap                   |                 |
| 13*         | Sealing Ring                      |                 |
| 15*         | Gasket                            |                 |
| 16*         | Cylinder Liner                    |                 |
| 17*         | Sealing Ring                      |                 |
| 18*         | Cylinder                          | 300191          |
| 19*         | Front Cap                         |                 |
| 20*         | Screw (M10 x 70mm)                |                 |
| 21          | Elastic Pin                       |                 |
| 22          | Handwheel with Knob               | 300142          |
| 23          | Pipe Fitting                      |                 |
| 24*         | Spacer                            |                 |
| 25*         | Spacer Holder Flange              |                 |
| 26*         | Screw                             |                 |
| 27          | Vise Screw                        | 300353          |
| 28          | Screw                             |                 |
| 29          | Block                             | 300167          |
| 30          | Small Rubber                      | 300166          |
| 31          | Screw (Not Shown)                 |                 |
| 32          | Washer (Not Shown)                |                 |
| 33          | Support                           | 304037          |
| 34          | Screw                             | 301980          |
| 35          | Jaw Holder Clamping Plate         | 301986          |
| 36          | Screw                             | 301981          |
| 37          | Vise Support                      | 300193          |
| 38          | Vise Support Feather              | 301984          |
| 39          | Small Block                       | 301979          |
| 40          | Left Jaw Holder                   | 300194          |
| 41          | Jaw                               | 300875          |
| 42          | Vise Slide Support                | 300352          |
|             | Main Clamping Vise                | 300196          |
|             | * Air Vise Repair Kit             | 300914          |
|             | Seal Kit for Main Vise            | 301325          |

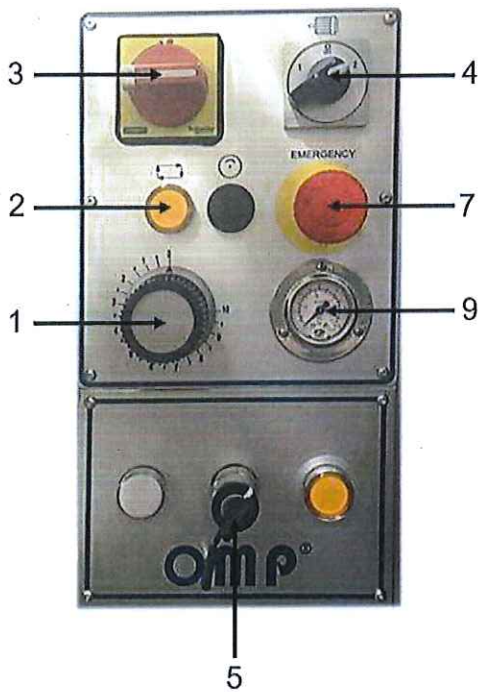
**Non-Ferrous Head Unit:**



| <u>Item</u> | <u>Part Name</u>   | <u>Part No.</u> |
|-------------|--------------------|-----------------|
| 1           | Motor – 220V       | 300117          |
| 2           | Spacer             |                 |
| 3           | Key                |                 |
| 4           | Upper Cog Pulley   | 79931           |
| 5           | Washer             |                 |
| 6           | Bolt               |                 |
| 7           | Drive Belt         | 300355          |
| 7           | Drive Belt (510mm) | 301976          |
| 8           | Cog Pulley (Lower) | 300700          |
|             | Cog Pulley (Lower) | 300594          |
| 9           | Key                | 300705          |
| 10          | Spindle Nut        | 300704          |
| 11          | Spacer             | 301313          |
| 12          | Bearing            | 300424          |
| 13          | Pipe               |                 |

| <u>Item</u>                     | <u>Part Name</u> | <u>Part No.</u> |
|---------------------------------|------------------|-----------------|
| 14                              | Blade Shaft      | 300423          |
| 15                              | Spacer           |                 |
| 16                              | Cover Plate      |                 |
| 17                              | Bearing          | 300426          |
| 18                              | Gasket           | 300706          |
| 19                              | Flange           | 301312          |
| 20                              | Blade Flange     | 301312          |
| 21                              | Spindle Bolt     | 300425          |
| 22                              | Blade            |                 |
| 23                              | Bolt             |                 |
| 24                              | Support Plate    |                 |
| 25                              | Lock Nut         |                 |
| 26                              | Bolt             |                 |
| Complete Head Assembly 440 Volt |                  | 300232          |





| <u>Item</u> | <u>Part Name</u>         | <u>Part No.</u> |
|-------------|--------------------------|-----------------|
| 1           | Flow Control Head        | 300215          |
| 2           | Cycle Start Button       | 300219          |
| 3           | Main Power Switch        | 300206          |
| 4           | Blade Speed Switch       | 300233          |
| 5           | Lock Out Switch with Key | 300204          |
| 7           | Emergency Stop           | 300351          |
| 9           | System Pressure Gauge    | 300214          |

**Items not shown:**

| <u>Part Name</u>  | <u>Part No.</u> |
|---|-----------------|
| Hood Limit Switch                                       | 300212          |
| Air Feed Regulator                                      | 300356          |
| 4-Way Valve   | 79914           |
| Cylinder Head Lift (Old Style, for Steel Frame Hoods)   | 300199          |
| Cylinder Head Lift (New Style, requires Eyelets 300446) | 300445          |
| Gas Shock Assembly                                      | 716697          |
| Gas Lift Shock  | 300445          |
| Eyelets Fittings of Gas Lift                            | 300446          |
| 6 HP Motor  | 300851          |

| <u>Part Name</u>               | <u>Part No.</u> |
|--------------------------------|-----------------|
| Valve for Regulating Feed Vise | 300195          |
| Table Cover Plate              | 300198          |
| Hex Wrench                     | 300220          |
| Bar Stop                       | 300228          |
| Oil Reservoir                  | 300273          |
| Plexi Glass Hood               | 300277          |
| Air Regulator Head Assembly    | 300813          |
| Hood Hinge                     | 301819          |
| Shock Mount Plastic            | 301820          |
| Coil                           | 88130045        |

*Please contact factory for current prices.*

**ORDERING INFORMATION**

Parts are available for direct purchase from Dake or through a distributor. When placing a parts order, you will need to provide the part number, name of part, and model number. All parts shipped F.O.B. Factory in Grand Haven, MI.



Dake Corporation  
1809 Industrial Park Dr  
Grand Haven, MI 49417  
[www.dakecorp.com](http://www.dakecorp.com)

## **DEACTIVATING THE MACHINE**

If the machine is not going to be in use for a long period of time it is recommended that you do the following:

1. Unplug machine.
2. Empty coolant tank.
3. Carefully clean and grease machine.
4. If necessary cover the machine.

## **DISMANTLING THE MACHINE**

If this machine is permanently demolished and/or scrapped, divide the material to be disposed of and dispose of them in accordance to local disposal laws. This includes raw materials such as metals, electrical components, and special waste such as old oils.