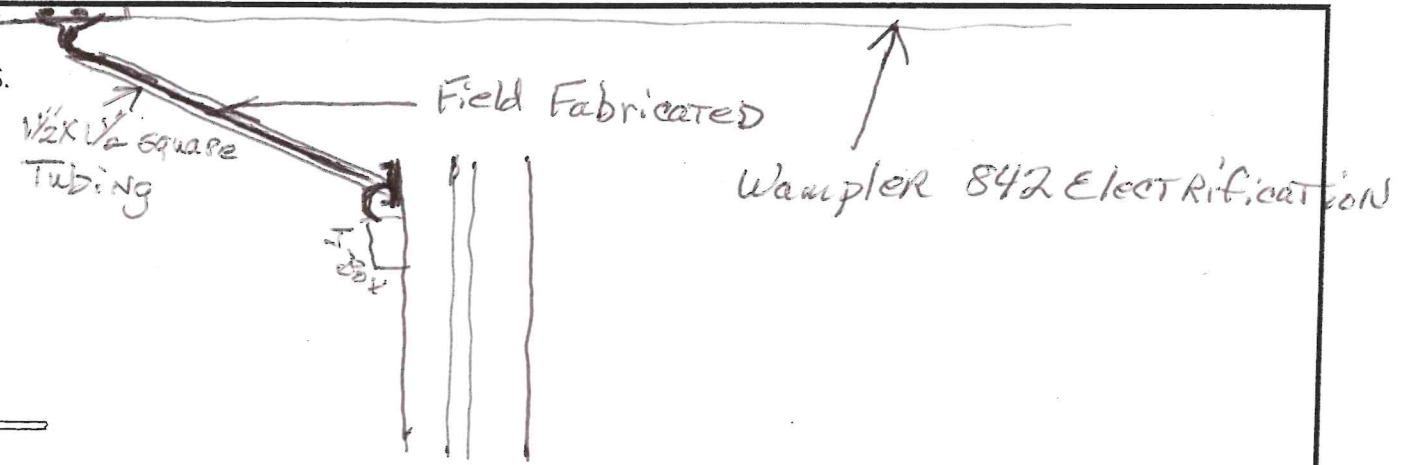
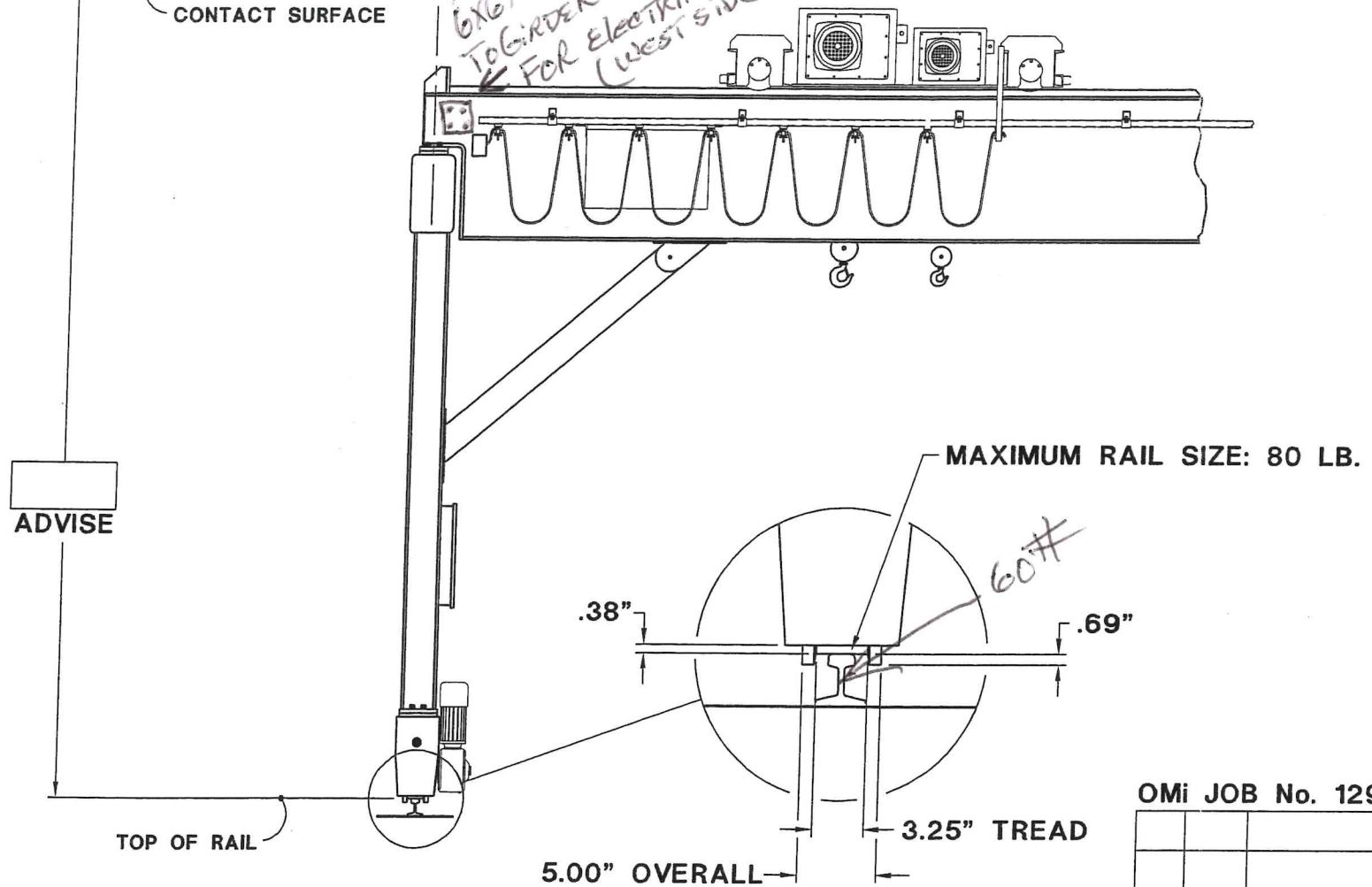


CONDUCTOR BAR & COLLECTORS ARE BY OTHERS.  
COLLECTOR POST ONLY BY OMI.

*6x6x1/2 plate Bolled  
To GIRDER w/ 4 BELTS  
FOR ELECTRIFICATION  
(WEST SIDE-NORTH END)*



DWG APPROVED FOR  
CONSTRUCTION  AS NOTED  
 NO CHANGE  
SIGNATURE *Jan Alexander*  
DATE *6/11/03*



OMi JOB No. 12977 (1) CRANE REQ'D

REV	DATE	DESCRIPTION	BY

<b>OMi</b>	<b>OMi CRANE SYSTEMS, INC.</b> ROYSE CITY, TEXAS 75189 ( 972 ) 636-8000	MASTER <u>31129771</u> DRAWN <u>JIM</u> SCALE <u>NONE</u> DATE <u>6-2-03</u>
	<b>15/5 TON TOP RUNNING DBL GIRDER DOUBLE LEG GANTRY 21'-0" SPAN</b>	<b>Nº 031-12977-B</b>
	IPS	SHEET <b>2 OF 2</b>