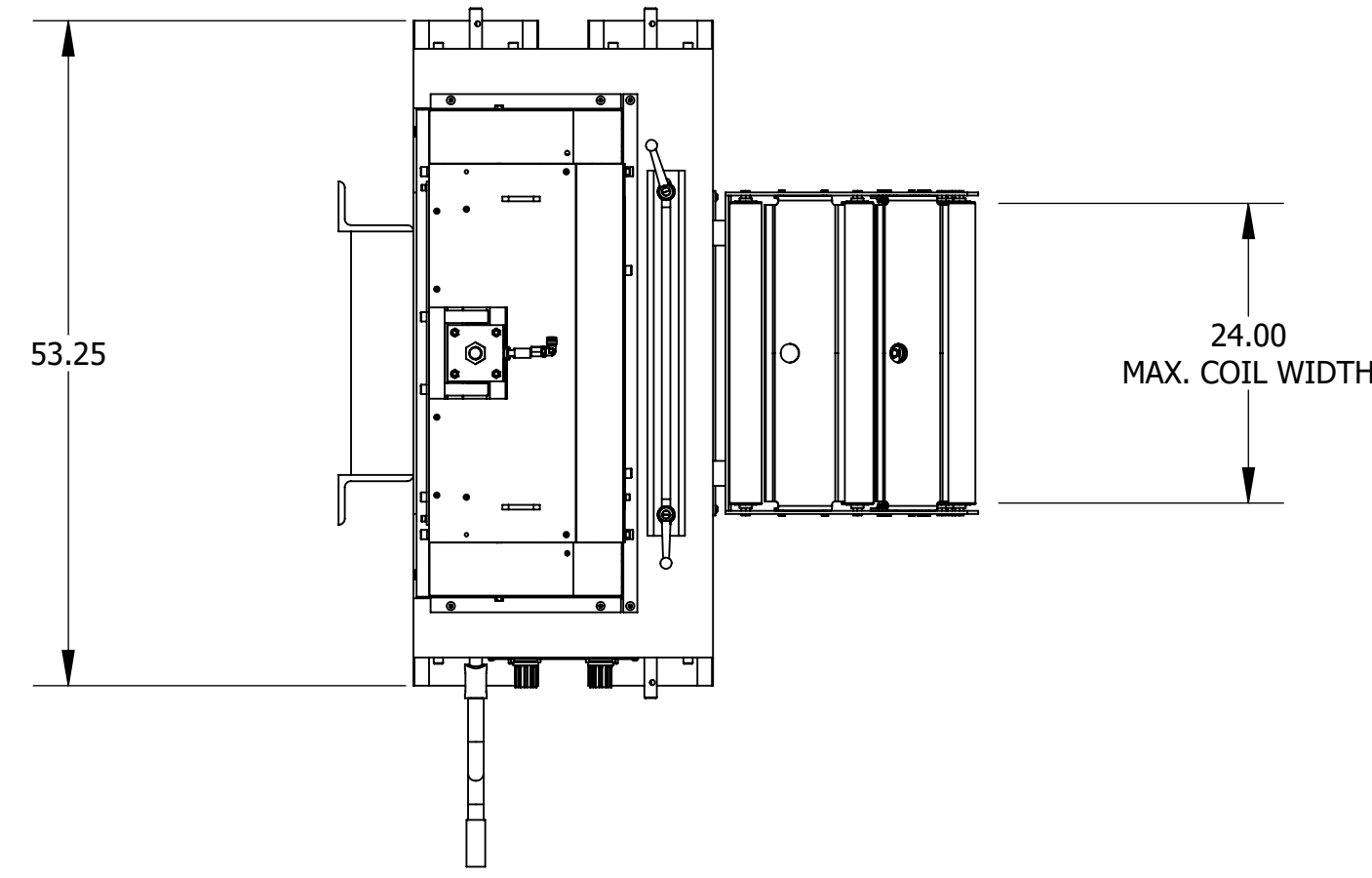
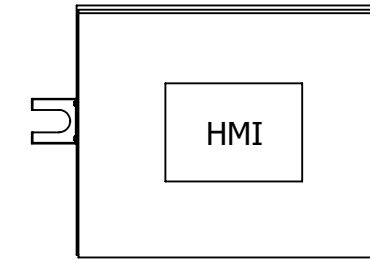


APPROVAL PRINT

REVISIONS			
REV.	BY	DATE	DESCRIPTION
A	NZ	9/6/2023	UPDATED VIEWS, AMPERAGE 25 A WAS TBD, ADDED ELECTRICAL ENCLOSURE

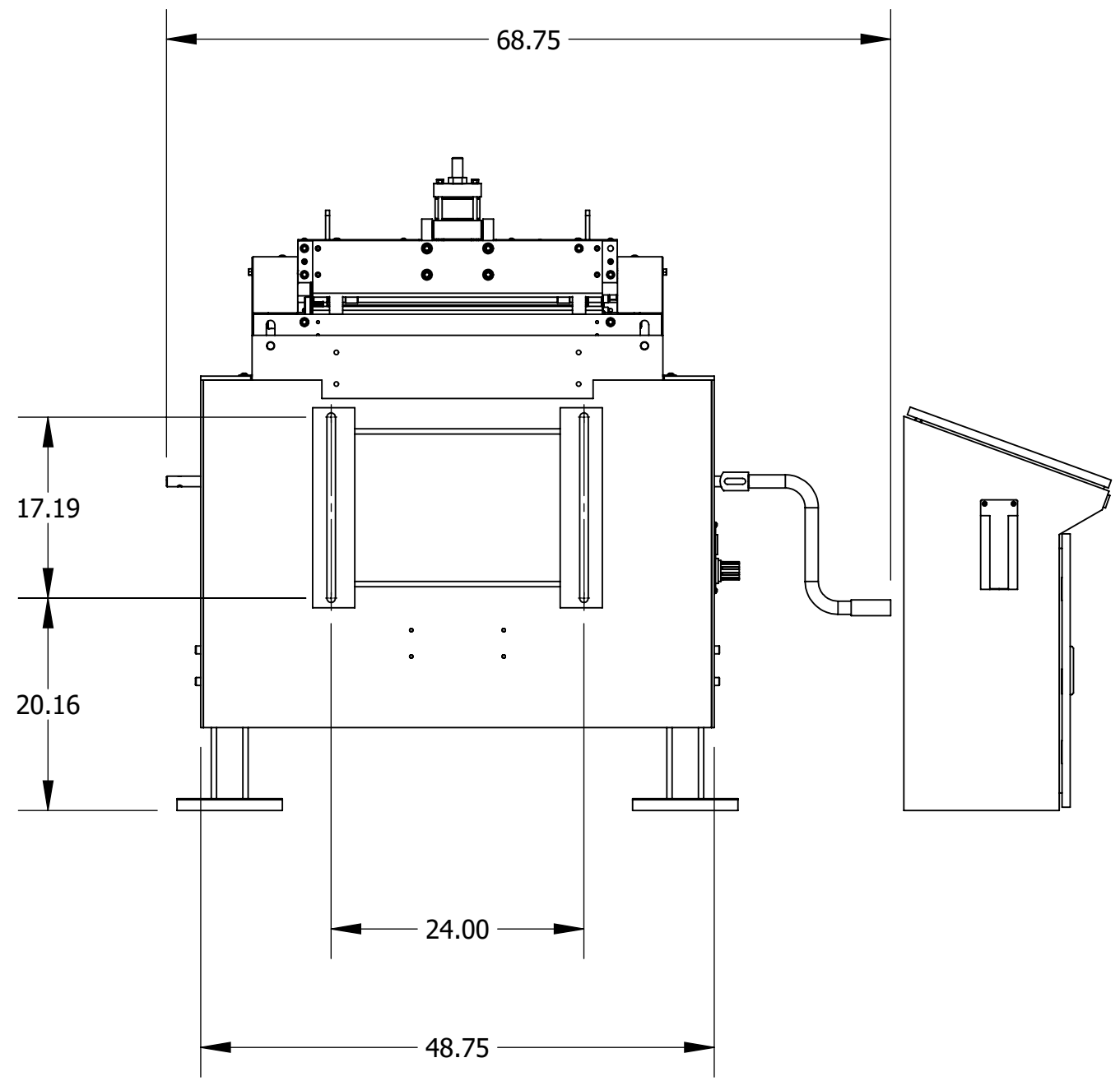


RIGHT TO LEFT
FEED DIRECTION

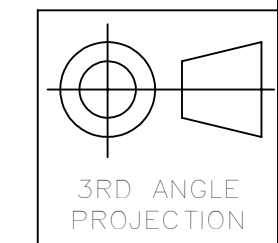
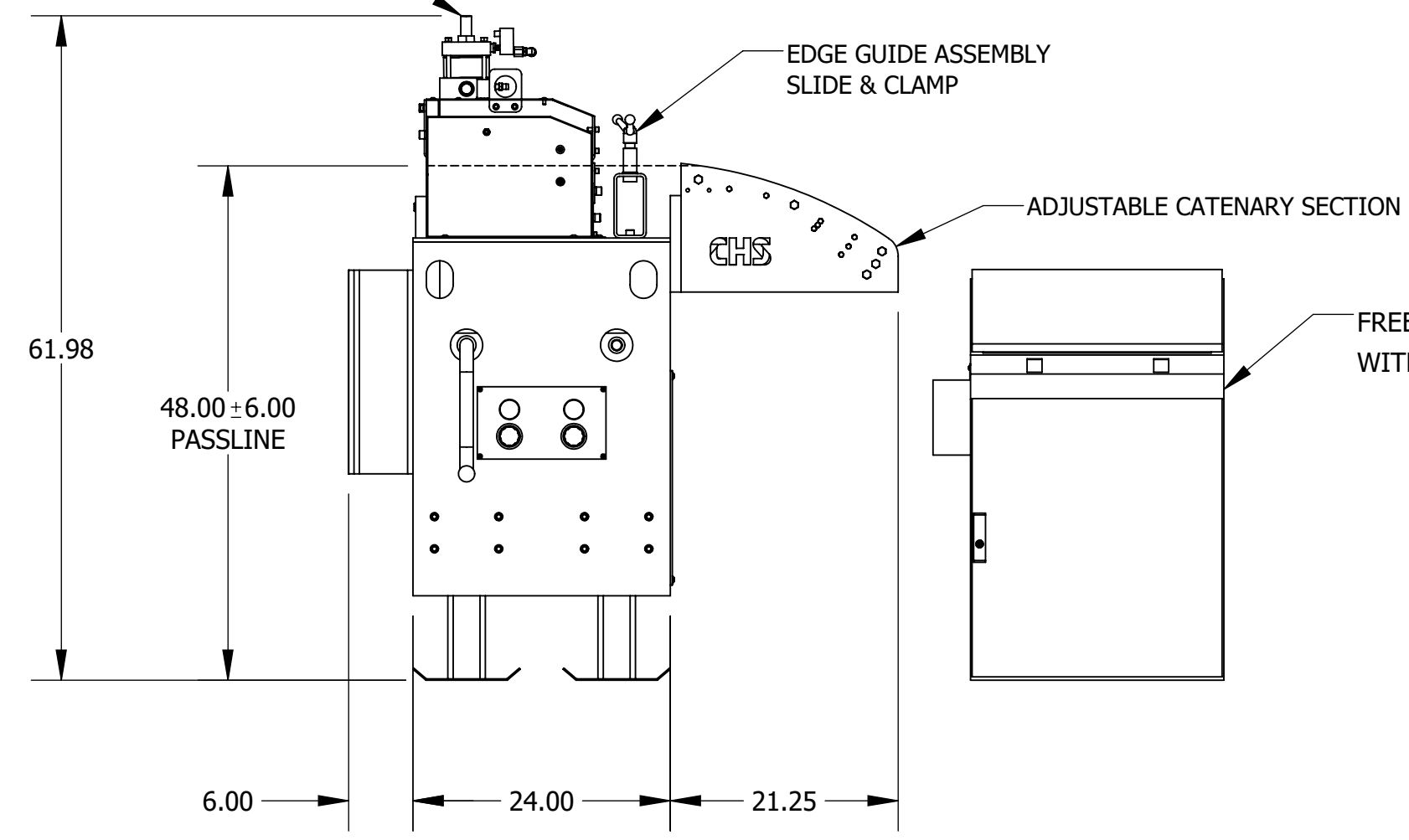


CUSTOMER APPROVALS	
LINE DIRECTION:	RIGHT TO LEFT
ROLL FEED:	MX-324
CONTROLS PLATFORM:	SIEMENS-SIMO 142
POWER VOLTS:	480 VOLTS / 3 PHASE
AMPERAGE:	25 A
PAINT COLOR:	RAL-7035

CUSTOMER _____ DATE _____



MX-324 ROLLFEED ASSEMBLY,
CABINET MOUNTED



CONFIDENTIAL PROPERTY	
CAD	COMPUTER AIDED DESIGN CHANGE RESTRICTED NO MANUAL CHANGES
REFERENCE DRAWING No.	2003966
WEIGHT / LBS.	1611.7208

TOLERANCES UNLESS OTHERWISE SPECIFIED
FRACTIONAL ±1/64
2 PLACE DIMS. ±.01
3 PLACE DIMS. ±.005
ANGLES ±1/2°
BREAK ALL SHARP EDGES REMOVE ALL BURRS DO NOT SCALE DRAWINGS WORK TO DIMS.

TITLE LINE LAYOUT, MX-324				
JOB No. J30244	SHEET 1 of 1	SHT. SIZE C	SCALE 1:15	DRAWN BY: NZ
DATE 5/1/2023	ASSY No.		DRAWING No. CHS-1188	