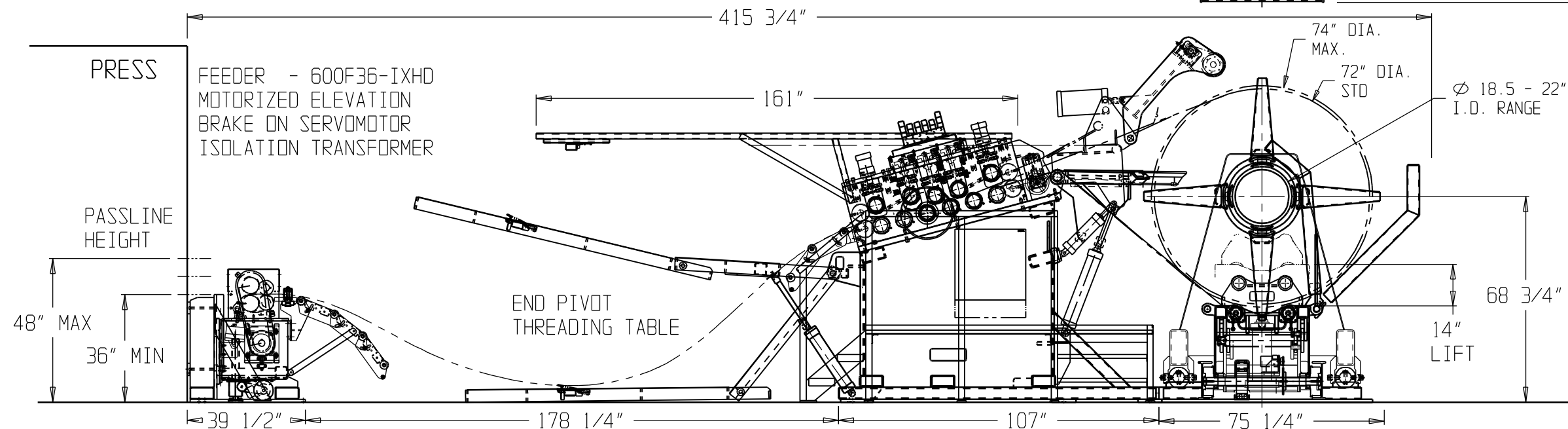


PASSLINE: 42" +/- 6"
 COLOR: SHERWIN WILLIAMS #GMW04
 FEED DIRECTION: RIGHT TO LEFT
 MATERIAL: 7/16" x 36" WIDE 30 KSI YIELD
 5/16" x 36" WIDE 60 KSI YIELD
 POWER: 440V, 3 PHASE, 60 HZ

STRAIGHTENER - 6STR36-CB
 30 HP VFAC
 HEAVY DUTY THREADING
 POWER ROLL ADJUST
 SONAR LOOP CONTROL



UNCOILER - 400BTJ36
 18.5"-26" I.D. WITH
 MANDREL SPACERS
 SIDE SHIFT
 HEAVY DUTY BTJ BASE

COIL CAR - 400CC-PR
 POWER ROLL TOP
 10" IDLE ROLL RISER
 KEEPER ARMS

SCALE: 1:42	REF #	P.O. No.	Dwg. No.
ENG. BY: C. GOODY		RT3910	B2702
INITIAL FOR PRODUCTION RELEASE		DATE: 16 JULY 1999	REV No. .
MECON INDUSTRIES LIMITED			
TITLE: 30K x 36" - SKD (NORTH ADAMS)			