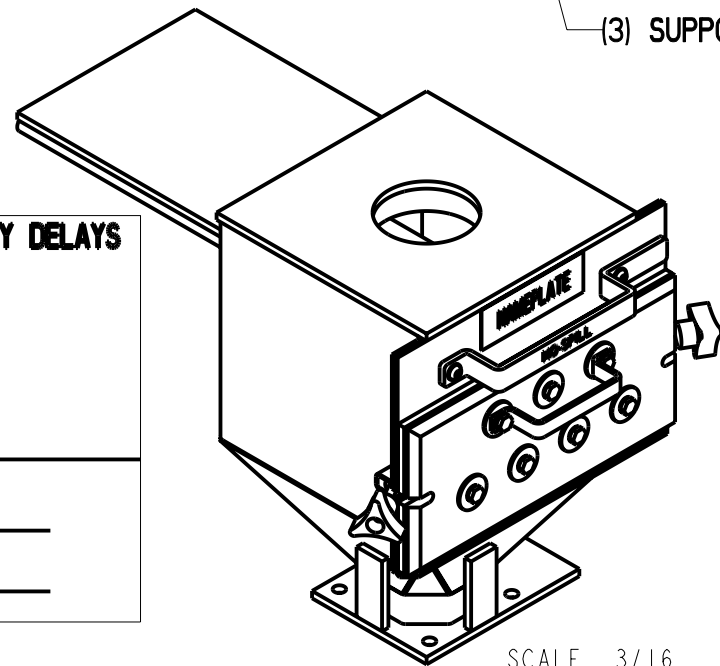
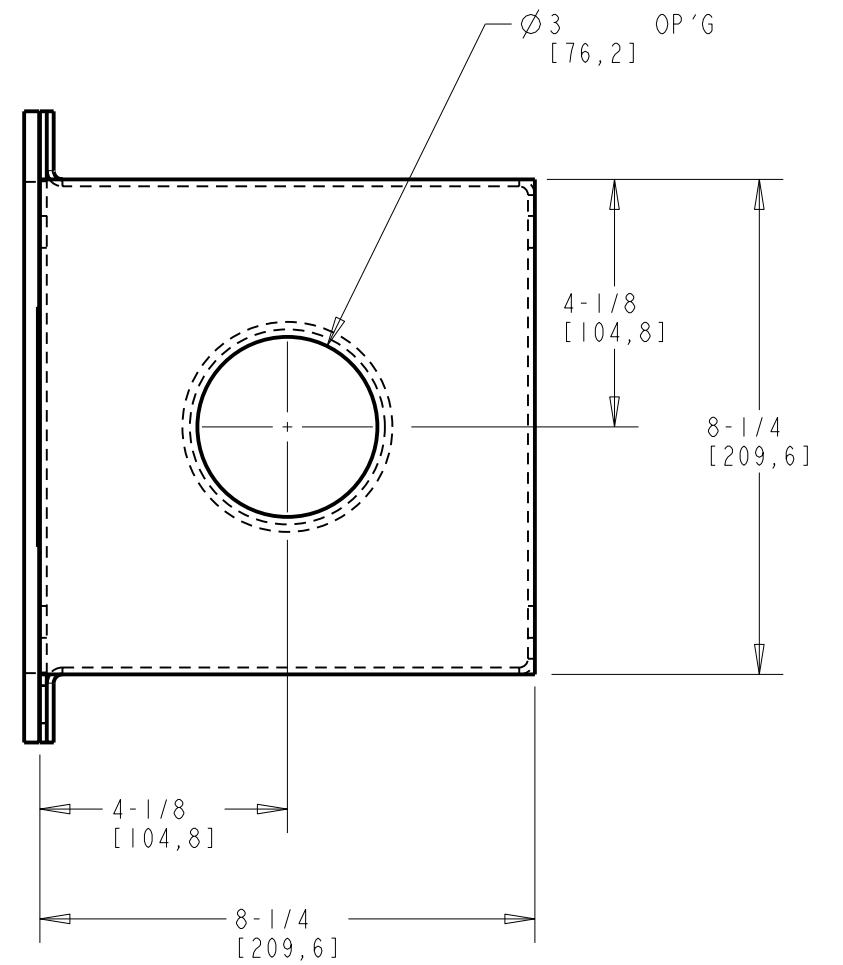



(3) SUPPORTS



SCALE 3/16

ENGINEERING MODEL NUMBER: FF48STPLS W/LABELS & DECALS

THIS DRAWING AND ALL INFORMATION THEREON IS PROPERTY OF BUNTING MAGNETICS CO. IT IS LOANED CONFIDENTIALLY AND MAY NOT BE USED IN ANY WAY DETRIMENTAL TO OUR INTEREST.

|                        |  |  |               |  |
|------------------------|--|--|---------------|--|
| UNSPECIFIED TOLERANCES |  | DRAWN IN THIRD ANGLE PROJECTION          | SCALE 5/16    |  <b>BUNTING MAGNETICS CO.</b><br>500 SOUTH SPENCER AVE.<br>NEWTON, KANSAS 67114 |
| DECIMALS:              | .X ± .015<br>.XX ± .010<br>.XXX ± .005 |  | DRAWN MB      |  |
| ANGLES:                | ± 1/2°                                 | DEBURR SHARP EDGES<br>MIN. WELD CLEAN UP | DATE 07/02/15 | TITLE:   |
| FINISHED SURFACES:     | 125                                    | DO NOT SCALE DRAWING                     |               | Drawer Filter 8 X 8  |

|     |      |             |    |          |  |  |  |          |               |
|-----|------|-------------|----|----------|--|--|--|----------|---------------|
| E   |      |             |    |          |  |  |  |          |               |
| D   |      |             |    |          |  |  |  |          |               |
| C   |      |             |    |          |  |  |  |          |               |
| B   |      |             |    |          |  |  |  |          |               |
| A   |      |             |    |          |  |  |  |          |               |
| REV | DATE | DESCRIPTION | BY | P. I. N. |  |  |  | DWG. NO. | 9323733-2-APP |

PLEASE RESPOND AS SOON AS POSSIBLE TO AVOID DELIVERY DELAYS

- (1) APPROVED AS DRAWN.
- (2) APPROVED WITH MARKED CHANGES
- (3) NOT APPROVED

APPROVED BY: \_\_\_\_\_

DATE: \_\_\_\_\_

| ITEM | NAME | DWG SIZE | P. I. N. | QTY | DESCRIPTION | CUT SIZE | PROGRAM NO | PROG QTY |
|------|------|----------|----------|-----|-------------|----------|------------|----------|
|------|------|----------|----------|-----|-------------|----------|------------|----------|