

# OEM PARTS - ACCESSORIES

DUAL-CYLINDER | PM | K-SERIES MODELS



## Structural Shear

- Multiple blades for channel, beam and more

## Punch

- Multiple options available
- Oversize Tooling, Pipe Notcher and more

## Punch


- Built for speed and versatility
- Many options available
- Large open space for custom tooling

## Notcher

- Press Brake and more
- Triangular Notcher available
- Custom Notcher-end Punch

## Plate Shear

- Hydraulic Hold-Down available
- Back-gauge Extensions

 410-272-3600 | 888-988-7655

# SUNRISE K-SERIES IRONWORKERS

## Press Brake Attachment

Press Brake attachments are great additions to the K-series from Sunrise. Choose the multi opening for bending thinner gauge material, or the single-vee for bending thicker plate.

### SINGLE-VEE DIE - THICK MATERIAL

**6" wide x 5/16" - \$1,250.00**

**IW-50M** - Part#: *SUNIW-9023890*

**IW-50K** - Part#: *SUNIW-1623300*

**IW-66K** - Part#: *SUNIW-2923100*

**8" wide x 3/8" - \$1,175.00**

**IW-66KB**

Part#: *SUNIW-8723100*

### MULTI-VEE DIE - THIN MATERIAL

**IW-50K**

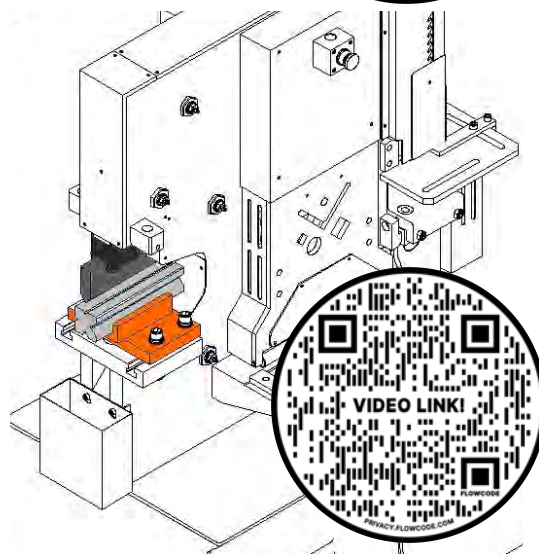
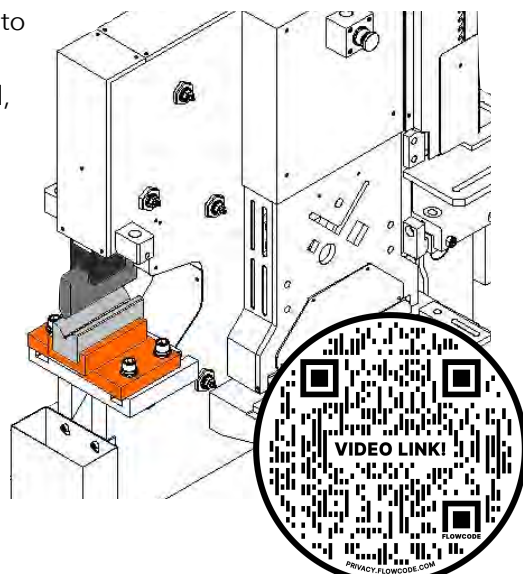
**10" wide x 1/8" - \$1,450.00**

Part#: *SUNIW-1623400*

**IW-66K**

**10" wide x 1/4" - \$1,450.00**

Part#: *SUNIW-2923200*

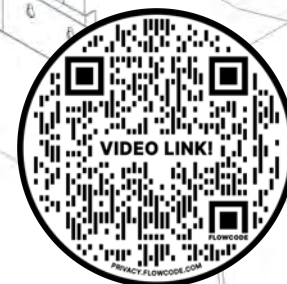


## Pipe Notcher/Coping Kit

Did you know your Sunrise Ironworker can put a 90 degree cope on the end of your pipe? This simple attachment takes a specific size of pipe and copes the end to allow you to weld to another piece of pipe the same size.

**KIT INCLUDES ONE PUNCH AND DIE FOR SCHEDULE 40 PIPE**  
All kits include die block and necessary tooling.

Complete Kit (ONE SIZE PER KIT)		
3/4" OR 1"	1-1/4" OR 1-1/2"	2"
\$675.00	\$830.00	\$1,450.00
Additional P&D		
\$420.00	\$575.00	\$822.50



410-272-3600 | 888-988-7655

# SUNRISE K-SERIES IRONWORKERS

## Urethane Stripper

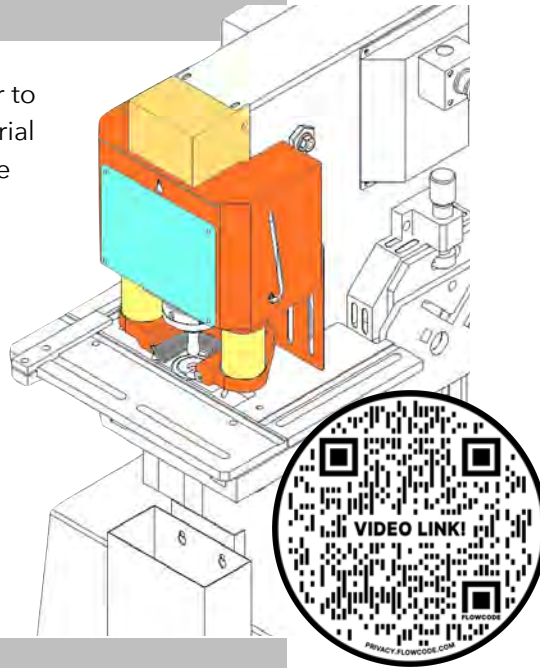
The urethane stripper enables the operator to punch sheet metal and lighter gauge material by compressing the stripper using urethane springs. The urethane helps to prevent deformation of the punched part.

**IW-50K**  
**\$850.00**

Part#: *SUNIW-STAU*

**IW-66K/KB**  
**\$850.00**

Part#: *SUNIW-STAU2*



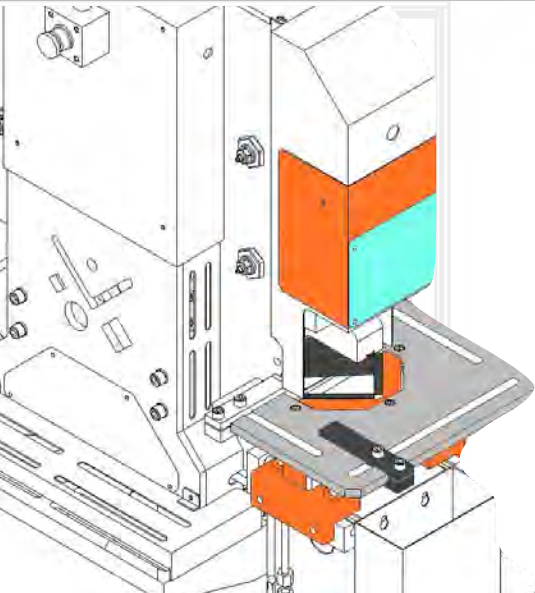
## Triangular (V) Notcher

This notcher-end mounted vee-shaped notcher replaces the standard rectangular coper-notcher, and allows the operator to now notch angle and plate with a 90 degree vee-shaped notch.

**IW-50K, IW-66K**  
**3.5" x 3.5" x 5/16" - \$1,250.00**

Part#: *SUNIW-2921000*

**Kit includes gauge table and uses same guard as notcher.**



## Oversize Punch Kit

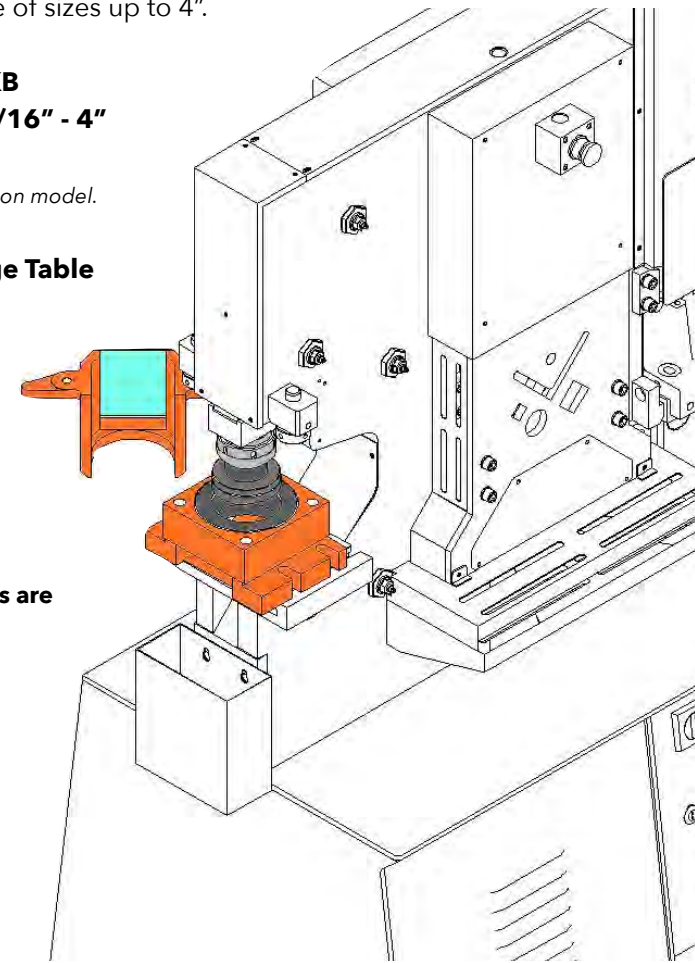
The oversize punch kit allows the K-Series machines to punch up to 4" diameter holes (within the tonnage range of the machine), and adds the ability to accommodate larger tooling. The kit includes all necessary adapters to handle the complete range of sizes up to 4".


**IW-50K,66K/KB**  
**Diameters 1-9/16" - 4"**  
**\$2,250.00**

Part number based on model.

**Optional Gauge Table**  
**\$750.00**

**Punches or Dies are additional.**



 410-272-3600 | 888-988-7655

# SUNRISE K-SERIES IRONWORKERS

## Section Shear

The Sunrise K-Series Ironworker can shear channel and other structural steel as well! Change out your angle shear for the channel shear option and instantly add additional capabilities to your machine!

### Channel Blades

**Pricing includes front and back blade, and safety cover.**  
IW-66K/KB and IW-95KD include hydraulic hold-down cut-out.

*Custom profiles available upon request.*

#### IW-50K

**3" Channel**

**\$1,950.00**

Part#: SUNIW-1622300

#### IW-66K

**2" and 3" Channel**

**\$2,100.00**

Part#: SUNIW-292230

**4" Channel**

**\$2,000.00**

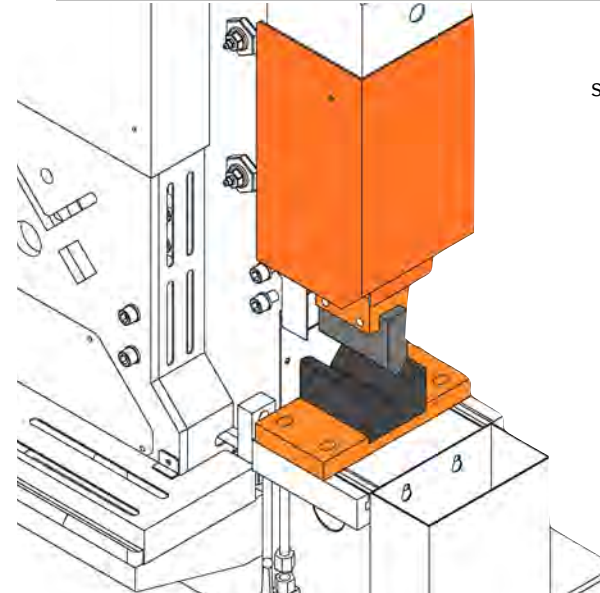
Part#: SUNIW-2922400

#### IW-95KD

**3", 4", 5", 6" Channel (One Size Only) - \$2,550.00**

Various Part Numbers - Inquire Please.

## Notcher-End Press Brake



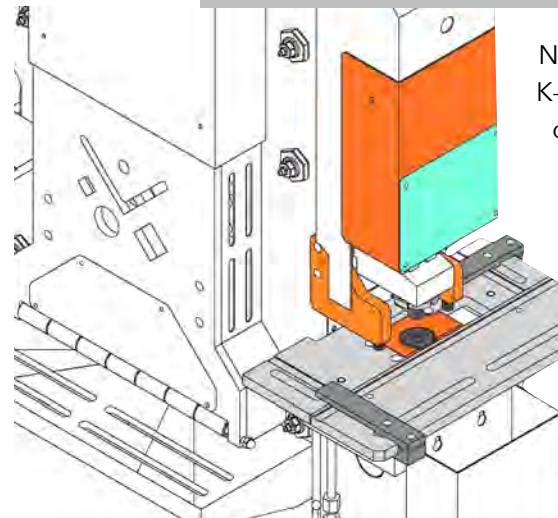
Simple kit for bending small brackets using your notcher station.

**IW-50K, 66K**

**4" x 3/16" - \$1,450.00**

*Special Order Item*

## Notcher-End Punching Kit



Now you can punch on both ends of your K-Series Ironworker! Set up different tools on either punch for maximum versatility!

**IW-50K, 66K**

**\$1,950.00**

Part#: SUNIW-2933000

Maximum diameter 1-1/16"

**Kit includes machined gauging table. Uses standard Sunrise Tooling.**

 410-272-3600 | 888-988-7655

# SUNRISE DUAL-CYLINDER IRONWORKERS & PUNCHING MACHINES

## Section Shear

The Section Shear of your Sunrise Ironworker is a true work-horse with the ability to shear channel, I-Beam, and other structural steel! Custom profile? No problem! Send us your CAD drawing and our engineers will create a custom quote for your machine.

Prices include front and back blade, and safety cover. Other Profiles also available (Unistrut, T-Bar, Beam, Custom Round/Square Solid Rod) at an additional fee.

Please Note: The PM-Punching Machine series from Sunrise can feature a channel shearing device, but capacities are limited to 4" channel regardless of size. Please ask for more details.

## Channel Blades

IW-66S/SD	3"x4.1# & 4"x5.4#	5" x 6.7#		
	\$1,100.00 Part#: SUNIWI-3022340	\$1,100.00 Part#: SUNIWI-3022250		
IW-88S/SD	2" & 3"	3" & 4"	4" & 5"	6"x8.2#
	\$1,100.00 Part#: SUNIWI-3222230	\$1,100.00 Part#: SUNIWI-3222340	\$1,100.00 Part#: SUNIWI-3222450	\$1,100.00 Part#: SUNIWI-3222600
IW-110S/SD	2" & 3"	3" & 4"	4" & 5"	6"
	\$1,250.00 Part#: SUNIWI-3422230	\$1,250.00 Part#: SUNIWI-3422340	\$1,250.00 Part#: SUNIWI-3422450	\$1,250.00 Part#: SUNIWI-3422600
IW-135S/SD	2" & 3"	3" & 4"	4" & 5"	6"
	\$1,700.00 Part#: SUNIWI-3622230	\$1,700.00 Part#: SUNIWI-3622340	\$1,700.00 Part#: SUNIWI-3622450	\$1,700.00 Part#: SUNIWI-3622600
IW-185SD	2", 3", 4"	5" & 6"	8"	
	\$2,100.00 Part#: SUNIWI-3822234	\$2,100.00 Part#: SUNIWI-3822560	\$2,100.00 Part#: SUNIWI-3822800	

## Schedule 40 Pipe Notcher Kit S/SD/KD/PM

Quickly add the ability to notch/cope the end of your pipe at 90 degrees with your Sunrise Ironworker! The standard uses the quick-change tooling for maximum versatility and ease.

### Quick-Change Pipe Notcher Kit

Kit uses standard die block and includes all hardware.

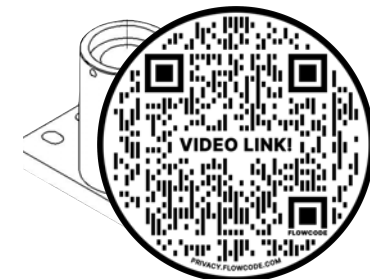
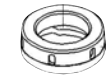
3/4"	1"	1-1/4"	1-1/2"
\$975.00	\$975.00	\$975.00	\$975.00

### Upsize Pipe Notcher Kit

Kit includes stand-alone die block, and additional hardware as needed, which is included in the price.

3/4"	1"	1-1/4" or 1-1/2"
\$1,125.00	\$1,125.00	\$1,125.00
Additional P&D	Additional P&D	Additional P&D
\$420.00	\$420.00	\$635.00

2"	3"
\$1,950	\$1,950.00
Additional P&D	Additional P&D
\$900.00	\$1,400.00



410-272-3600 | 888-988-7655

# SUNRISE DUAL-CYLINDER IRONWORKERS & PUNCHING MACHINES

## Press Brake Attachment

Press Brake attachments are great additions to the S/SD/PM series machines from Sunrise. Choose the multi-opening for bending thinner gauge material, or the single-vee for bending thicker plate.

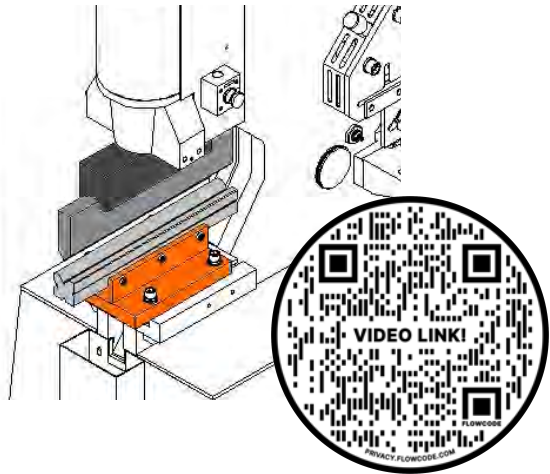
### MULTI-VEE DIE - THIN MATERIAL

**IW-66-88, PM-38-88**  
**20" wide x 3/16" - \$1,950.00**

Part#: *SUNIW-9023590*  
 (Oriented front to back)

**IW-110-185, PM-135-220**  
**27.5" wide x 3/16" - \$2,950.00**

Part#: *SUNIW-9023690*  
 (Oriented left to right)



### SINGLE-VEE DIE - THICK MATERIAL

**IW-66-88, PM-38-88**  
**10" wide x 1/2" Capacity - \$1,650.00**

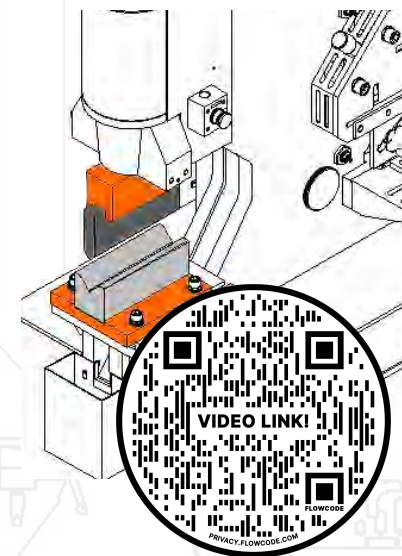
Part#: *SUNIW-9023490*  
 (Oriented front to back)

**IW-110-185, PM-135-220**  
**10" wide x 3/4" Capacity - \$1,950.00**

Part#: *SUNIW-9023901*  
 (Oriented front to back)

**IW-110-185, PM-135-220**  
**20" wide - 1/2" Capacity - \$3,250.00**

Part#: *SUNIW-9023990*  
 (Oriented front to back on SD/LT/XT and left to right on S/T)



## Triangular (V) Notcher Kit (Notcher End)

**3.5" x 3.5" - \$1,450.00**

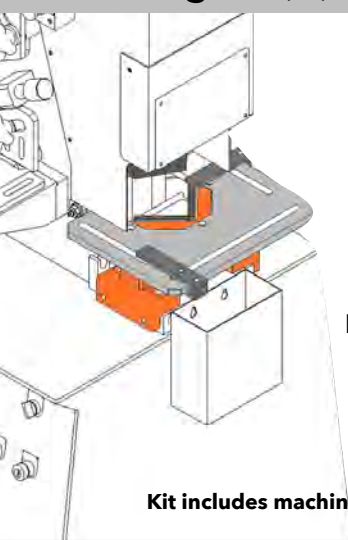
**IW-66S/SD - Part#: SUNIW-3221000**  
**3/8" Mild Steel Capacity**

**IW-88S/SD - Part#: SUNIW-3221000**  
**1/2" Mild Steel Capacity**

**4" x 4" - \$1,750.00**

**IW-110S/SD-135S/SD - Part#: SUNIW-3421000**  
**1/2" Mild Steel Capacity**

**IW-185SD - Part#: SUNIW-3821000**  
**5/8" Mild Steel Capacity**



Kit includes machined gauging table - Not applicable for Punching Machines

## Large Triangular (V) Notcher

Mounted on the punch station of any dual-cylinder ironworker or PM model, this large vee-notcher easily takes a massive notch from flat plate and angle.

**All S/SD and PM Models**

**5.5" x 5.5" - \$3,250.00**

Part#: *SUNIW-9021400*

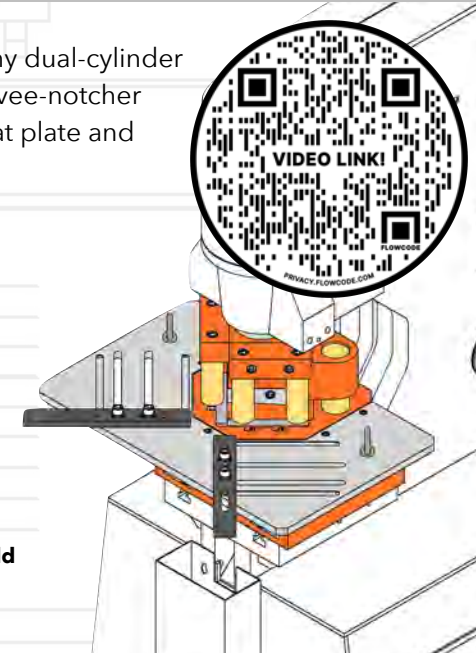
**Capacities:**

**5/16" - 38-66 Ton Models**

**3/8" - 88 Ton Models**

**1/2" - 110-220 Ton Models**

Kit includes gauge table and urethane hold downs. Adjustable blade gap.



410-272-3600 | 888-988-7655

# SUNRISE DUAL-CYLINDER IRONWORKERS & PUNCHING MACHINES

## Oversize Punch Kit

**Diameters 2" - 4" - \$2,950.00**  
(Part Number based on model)

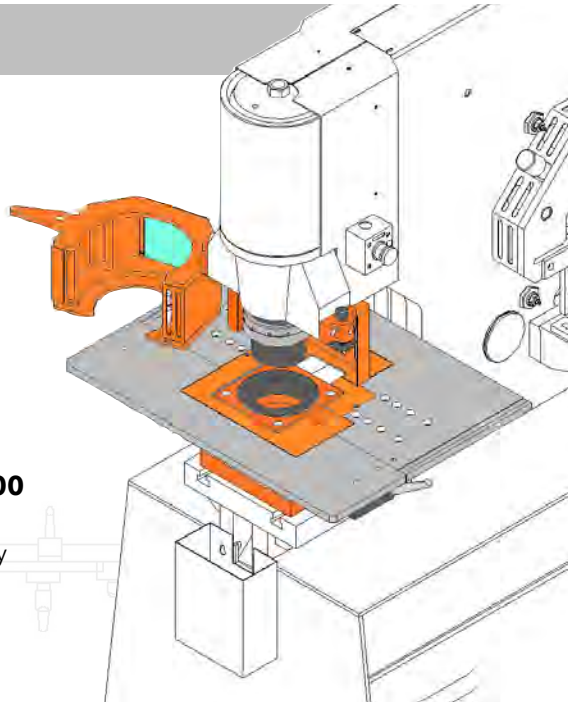
**Diameters 4" - 8" - \$4,950.00**  
(Part Number based on model)

**Complete 2" - 8" - \$5,750.00**  
(Part Number based on model)

**Gauge Table: \$750.00 - \$1,250.00**

Individual pieces are available, but may be at a higher cost than the kit price.

Kit does not include punches, dies, or gauge table.

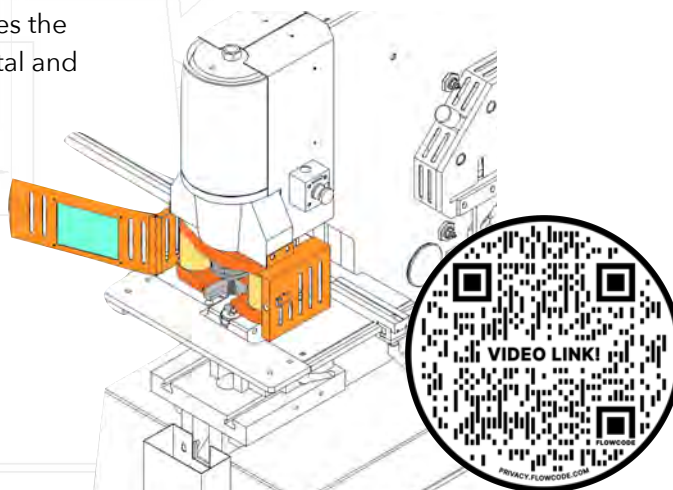


## Urethane Stripper

The urethane stripper enables the operator to punch sheet metal and lighter gauge material by compressing the stripper using urethane springs. The urethane helps to prevent deformation of the punched part.

**IW-S/SD/PM**  
**\$950.00**

Part#: SUNIW-STBU



## Channel/Angle Leg-Up Stripper

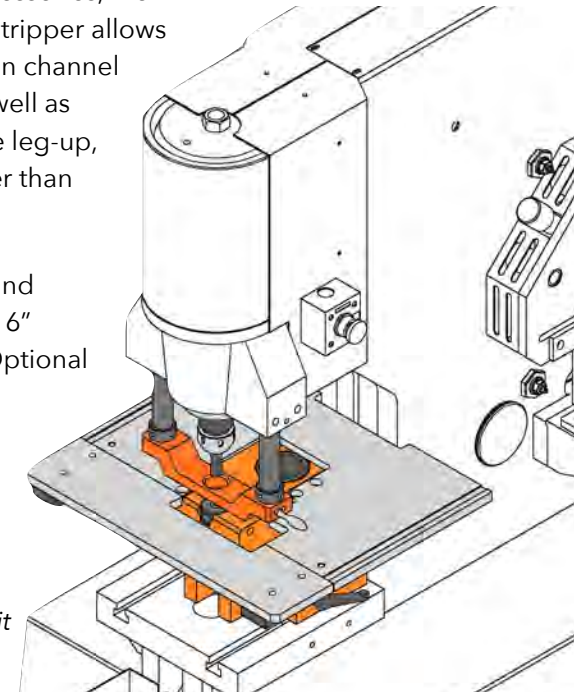
One of our most popular accessories, the Channel and Angle Leg-Up Stripper allows the operator to punch holes in channel webs with the flanges up as well as punch holes in angle with the leg-up, to gauge from the heel, rather than only leg-down.

Uses standard SP1 Punches and Dies. Standard capacity is 3" - 6" channel web/angle leg-up. Optional smaller strippers available to punch down to 1" channel web/angle leg-up.

**IW-S/SD/PM**  
**\$1,250.00**

Part#: SUNIW-STBCH-S/SD Kit

(Narrower leg-up strippers exist, please inquire.)



## Electric Back Gauge (Dual-Models)

**1m (40") Electric Back Gauge**

Part#: SUNIW-1311300 - **\$895.00**

**2m (80") Electric Back Gauge**

Part#: SUNIW-1311400 - **\$1,495.00**

**3.7m (144") Electric Back Gauge**

Part#: SUNIW-1311710 - **\$1,950.00**



410-272-3600 | 888-988-7655

# SUNRISE DUAL-CYLINDER IRONWORKERS & PUNCHING MACHINES

## Multi-Stop Gauge Table

Heavy duty gauge table, with ball transfers in the table, scale with quick adjust handle for y-axis position and multiple stops for x-axis position.

**IW-66S-110S, PM-38T-88T**  
**\$3,500.00**

Part#: SUNIW-MTA3400

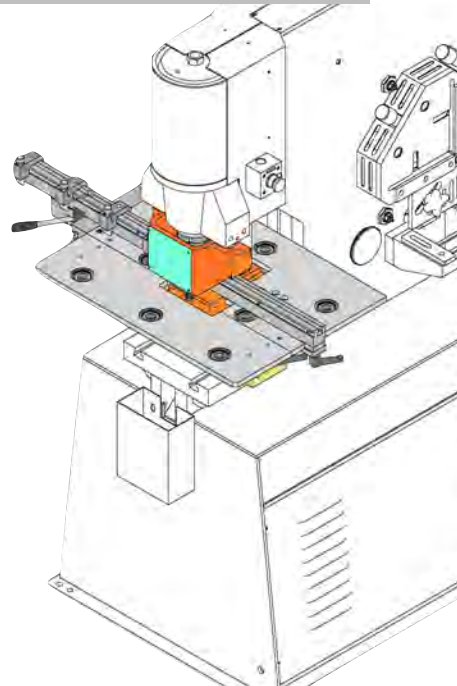
**IW-66SD-185SD, PM-38LT-220**  
**\$3,950.00**

Part#: SUNIW-MTA3500

**PM-38-220XT**

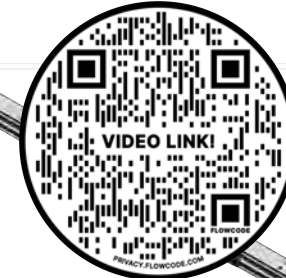
**\$4,250.00**

Part#: SUNIW-MTA4200



## Flip-Stop System

Aluminum extrusion extended X-Axis gauge bar with multiple flip stops. All Models.



**1m (40") Flip-Stop System - Including 5 flip-stops**

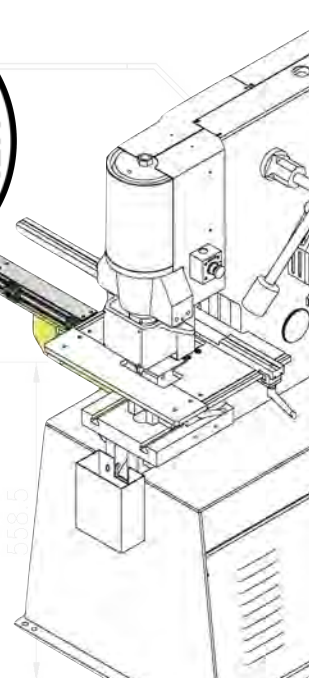
Part#: SUNIW-819102991 - **\$895.00**

**2m (80") Flip-Stop System - Including 10 flip-stops**

Part#: SUNIW-819102992 - **\$1,495.00**

**3m (120") Flip-Stop System - Including 15 flip-stops**

Part#: SUNIW-819102993 - **\$2,750.00**



### Exclusive United States Distributor:



#### Office/Showroom:

4610 Mercedes Drive  
Suite 410  
Belcamp, Maryland 21017

#### Mailing Address:

PO Box 70  
Belcamp, Maryland 21017

#### Phone:

410-272-3600  
888-988-7655 - Toll-Free

#### Fax:

410-272-3601

#### Email:

[inquiry@trilogymachinery.com](mailto:inquiry@trilogymachinery.com)

Your Local Dealer:


All items are FOB Belcamp, Maryland unless otherwise stated. Prices are subject to change without notice. All capacities are in mild-steel, 65,000 PSI tensile.

Custom orders and non-inventory items, including special blades, require a non-refundable deposit, due with order. Sales tax may be collected based on your state.

Please reference your serial number when calling to confirm proper fit as not all items referenced fit all models and serial numbers.

Trilogy Machinery reserves the right to make modifications to this list without notice.

© 2022 Trilogy Machinery, Inc.

 410-272-3600 | 888-988-7655