

CUSTOMER: MAGNA INTERNATIONAL
SPLIT-CRAFT DIV.

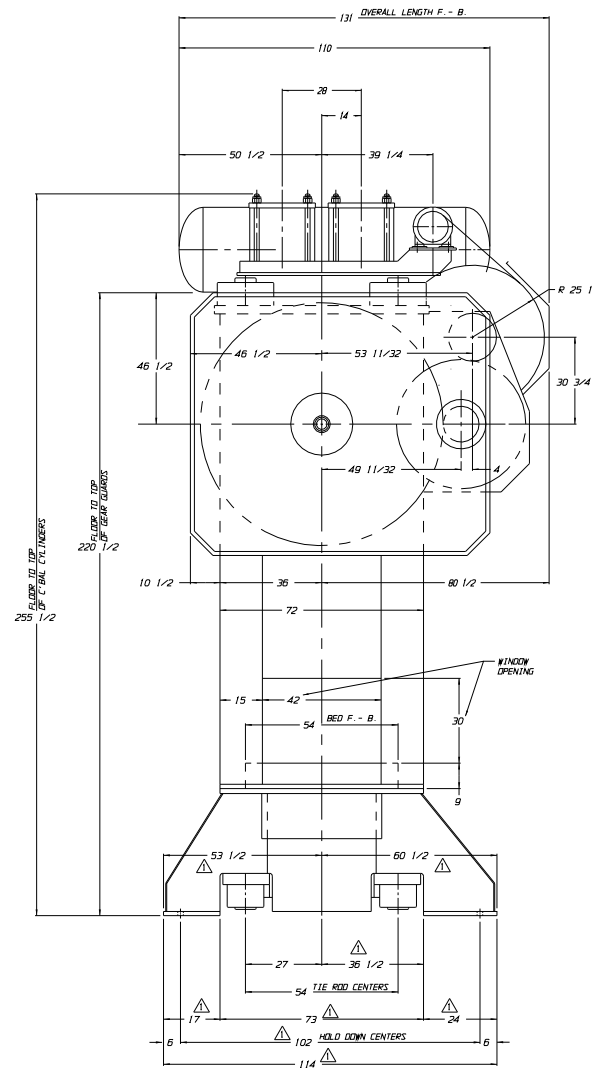
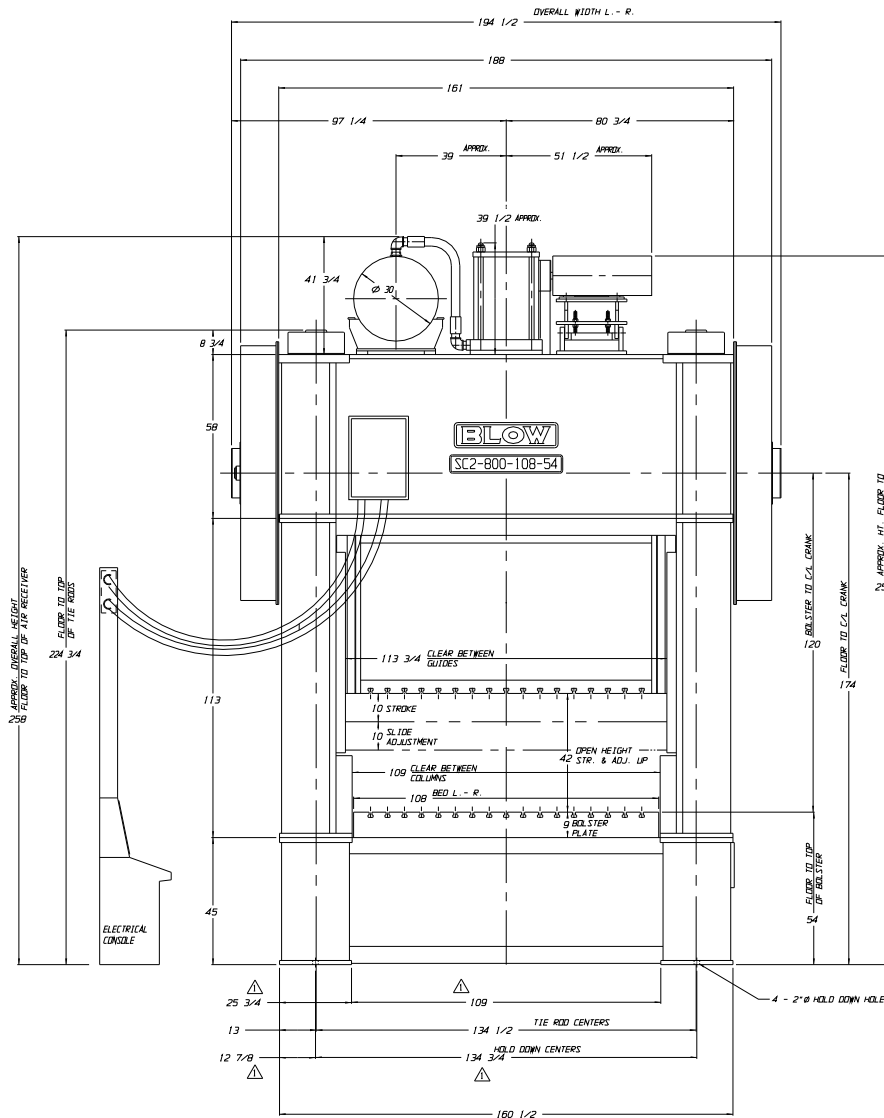
TYPE OF PRESS SC2-800-108-54
SERIAL NO. SDG-800-349-95
CAPACITY OF PRESS 800 TONS @ 1/2 ABOVE
FULL WORK ENERGY 12 SPM AND ABOVE
STROKE OF PRESS 10"
SHUT HEIGHT (SDAU)
OVER BOLSTER 32"
ADJUSTMENT 10"
STROKES PER MINUTE 8-20
SLIDE ADJUSTMENT SPEED 2.8 IN/MIN

ELECTRICAL SERVICE REQUIREMENTS:

LINE VOLTAGE 460 V.
PHASE & CYCLE 3/60 Hz.
MAIN MOTOR HP & RPM 100 HP. @ 300 TO 1750 RPM
SLIDE MOTOR HP & RPM 10 HP. @ 1750 RPM
LUBE PUMP MOTOR HP & RPM 1/3 HP. @ 1725 RPM

AIR SERVICE REQUIREMENTS:

C' BAL. SUPPLY PIPE SIZE 3/4" NPT
CLUTCH SUPPLY PIPE SIZE 1" NPT
CLUTCH AIR PRESSURE 80 - 90 PSI



PRESS CODE: 520 PLOTTING SCALE: .030

DO NOT SCALE DRAWING

UNLESS OTHERWISE SPECIFIED:
MACHINED SURFACE TOLERANCES:
ALL 3 PLACE DECIMALS: +/- .005
ALL FRACTIONAL DIM'S. TO MACHINED SURFACES: +/- .015
FRACTIONAL TOLERANCES:
UNDER 5 FEET: +/- 1/16
OVER 5 FEET: +/- 1/8

DRAWN BY: R. J. J.	DATE: 23 AUG. 94
CHECKED BY:	DATE:
SCALE: NOT TO SCALE	MADE FROM:

THIS PRINT IS THE PROPERTY OF BLOW PRESS LTD. AND IS LOANED TO YOU SUBJECT TO RETURN ON DEMAND. UNLESS OTHERWISE AGREED TO IN WRITING BY BLOW PRESS LTD. ITS CONTENTS ARE CONFIDENTIAL AND MUST NOT BE REPRODUCED OR COPIED IN WHOLE OR IN PART OR SUBMITTED TO ANY THIRD PARTY FOR USE OR EXAMINATION.

BLOW PRESS LIMITED
GUELPH ONTARIO

DESCRIPTION:
SC2-800-108-54

DRAWING NAME:
GENERAL ASSEMBLY

DRAWING NUMBER:	0071-C-0003	REV. 1
-----------------	-------------	--------

REVISIONS: 1 05 JUNE 96 RJJ
CHG'D FOOT PADS & LOCATION OF
HOLD DOWN HOLES TO MATCH BASE