



MATERIAL BINS

FOR USE WITH VACUUM OR VENTURI LOADERS

IDEAL FOR HANDLING:

- Regrind
- Short Run Materials
- Bagged Materials
- Feeding Purging Materials

ISO-9001
 MANUFACTURED IN A
 QUALITY SYSTEM CERTIFIED
 FACILITY.

**6
 SIZES**

- FEATURES -

- Six Sizes Available
- Molded of LLDPE
- FDA compliant in title 21 section 177.1520
- Molded-On Rugged Handles
- Portable, Caster Mounted
- Full Open Sliding Lids w/Handle
- Sliding Clean Out Door on Bottom of Large Bin
- Full Size Molded Base for Stability. No Metal Frames!
- Smooth Interior Surfaces Makes Cleaning a Snap.
- Lid Slides Off for Cleaning.

The Better HEAVY DUTY Transport Bins

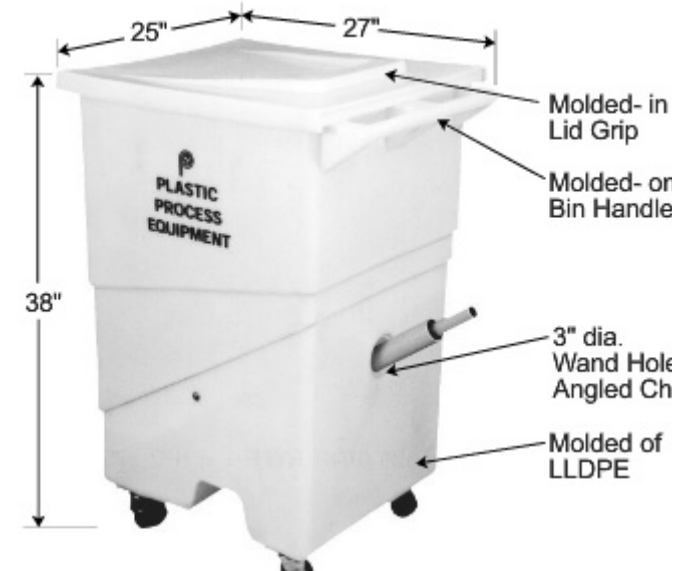
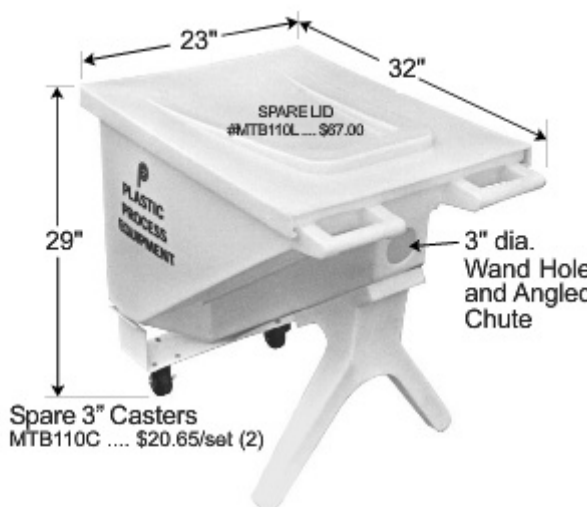
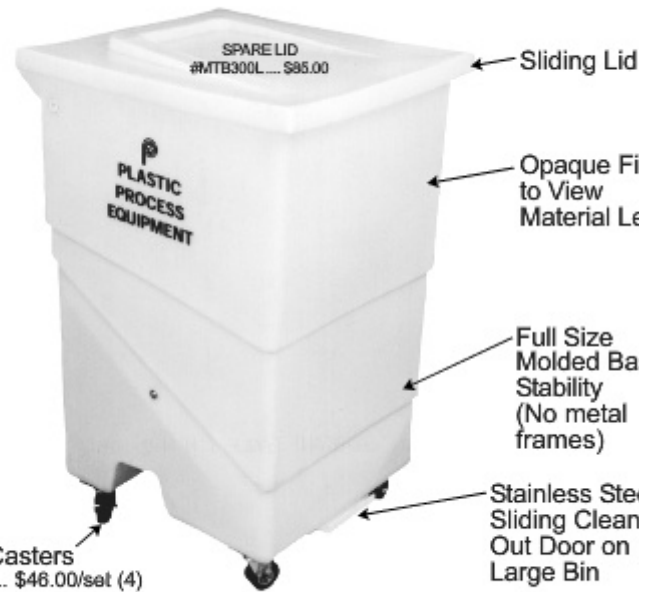
PPE Material Bins are designed to accept a material pick probe or suction wand for vacuum or venturi loaders. The material bins have a probe chute angled to a chamber at the low point in the bin for positive continuous material suction. Some models are molded of LLDPE and offer an opaque view of your material level. They are a full molded container, including the base, which adds to the overall stability, making them safer to use and move about your plant.



Transparent Acrylic Door Kit

(Includes: Acrylic Door, Hinge & Bolts)

- DMTB1 (fits MTB110) \$16.80
- DMTB3 (fits MTB300) \$17.55



PART NO.	CAPACITY	CUBIC FT.	PRICES EACH	
			1-5	6+
MTB110	110 LBS.	3.00	\$267.00	\$254.00

Can Ship via UPS.

PART NO.	CAPACITY	CUBIC FT.	PRICES EACH	
			1-5	6+
MTB300	300 LBS.	8.40	\$515.00	\$480.00

Must Ship Motor Freight.

PLASTIC PROCESS EQUIPMENT, INC.
 8303 CORPORATE PARK DRIVE
 MACEDONIA, OHIO 44056

6385 MONTESSOURI STREET
 LAS VEGAS, NEVADA 89149

www.ppe.com
 e-mail: sales@ppe.com
 Toll Free USA, Canada & Mexico

PPET MACEDONIA, OHIO 44056
216-367-7000 • FAX: 216-367-7022
TOLL FREE: 800-321-0562

PPET LAS VEGAS, NEVADA 89115
702-433-6385 • FAX: 702-433-6388
TOLL FREE: 800-258-8877

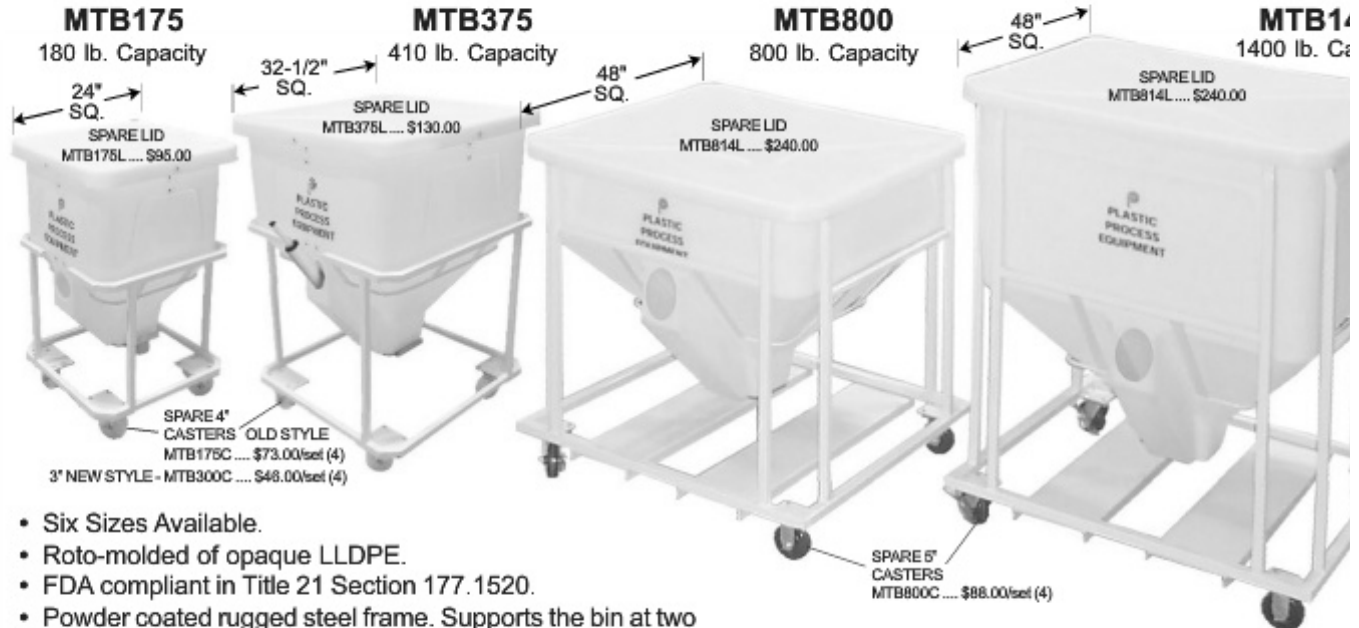
800-362-0706
Order Fax: 800-223-8305



MATERIAL BINS

RUGGED - DURABLE - PORTABLE - HI-CAPACITY
6 SIZES FROM 110 LBS. TO 1400 LBS.

ISO-9001
MANUFACTURE
QUALITY SYSTEM
FACILITY



- Six Sizes Available.
- Roto-molded of opaque LLDPE.
- FDA compliant in Title 21 Section 177.1520.
- Powder coated rugged steel frame. Supports the bin at two locations around the full perimeter.
- Portable, caster mounted, 2 fixed, 2 swivel. Locking swivels on MTB800 & MTB1400.
- Non-marking casters, large diameter.
- Full overlapping lid avoids entry of foreign material. Optional lid hold down clips available.
- Lid can be bored to accept a second probe.
- Stainless Steel Bottom Slide Gate for fast material evacuation and cleaning.
- Probe hole elongated 3" x 3-3/4" & 5" x 6-3/4".
- Not stackable for safety reasons.
- MTB800 & MTB1400 have forklift channels for lifting.
- Poundage graduation marks coming.
- Dimensions: **MTB175** = 24" Wide x 24" Deep x 39" High
MTB375 = 32-1/2" Wide x 32-1/2" Deep x 46" High
MTB800 = 48" Wide x 48" Deep x 48" High
MTB1400 = 48" Wide x 48" Deep x 60" High

PART NO.	CAPACITY	CUBIC FT.	PRICES EACH	
			1-5	6+
* MTB175	180 LBS.	4.93	\$435.00	\$4
* MTB375	410 LBS.	11.10	\$570.00	\$5
* MTB800	800 LBS.	22.50	\$1,010.00	\$9
* MTB1400	1400 LBS.	38.00	\$1,150.00	\$1,0

PART NO.	DESCRIPTION	PR
MTP175	Replacement bin w/lid (no slide gate)	\$27
* MTP375	Replacement bin w/lid (no slide gate)	\$32
* MTP800	Replacement bin w/lid (no slide gate)	\$56
* MTP1400	Replacement bin w/lid (no slide gate)	\$67

* Must ship by motor freight.

TRANSPARENT ACRYLIC DOOR KITS

- (Includes: Acrylic Door, Hinge & Bolts)
- DMTB13** (fits MTB175 & MTB375) \$17.85
 - DMTB814** (fits MTB800 & MTB1400) \$19.20



SPARE BOTTOM SLIDE GATE KIT

- Stainless Steel with Mounting Bolts
- CMTB20** (fits all bins with steel frames) ... \$68.00

Door Kit

LID HOLD DOWN CLAMP KITS

- (Includes: Gasket, Mounts, Brackets, Clamps & Bolts.)
- CMTB1** (fits MTB175) \$120.00
 - CMTB3** (fits MTB375) \$125.00
 - CMTB8** (fits MTB800) \$126.00
 - CMTB14** (fits MTB1400) \$126.00



Clamp

NOT STACKABLE FOR SAFETY REAS

PPE Material Bins are strong and durable. They are roto-molded of low density polyethylene (heavy wall) and nestled in a welded steel frame. All sizes have a probe opening chute to the lowest point in the bin to assure continuous material flow. They are opaque in color to allow viewing of the bin contents. They feature a stainless steel slide gate for fast material evacuation.

LEVEL INDICATING PROXIMITY SWITCH W/ 78" CORD

- Part No. **MTB126S** (requires a mounting bracket) \$179.00
- 5" Long Proximity Switch Mounting Bracket
- Part No. **MTB125P1** (fits MTB175) \$15.10
- 11" Long Proximity Switch Mounting Bracket
- Part No. **MTB125P3** (fits MTB375) \$17.20
- 14" Long Proximity Switch Mounting Bracket
- Part No. **MTB125P814** (fits MTB800 & MTB1400) \$19.35



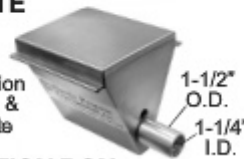
Switch & Bracket

S.S. SUCTION BOX AND ADAPTOR PLATE FOR USE WITH VENTURI LOADERS

Stainless Steel Suction Box conveys material out of Material Storage Bins. Requires cutting or drilling by customer.

- Part No. **200206** \$300.00 ea.

Suction Box & Adaptor Plate



1-1/2" O.D.
1-1/4" I.D.

LLDPE ADAPTOR PLATE FOR S.S. SUCTION BOX

They come pre-drilled with stainless steel nuts & bolts.