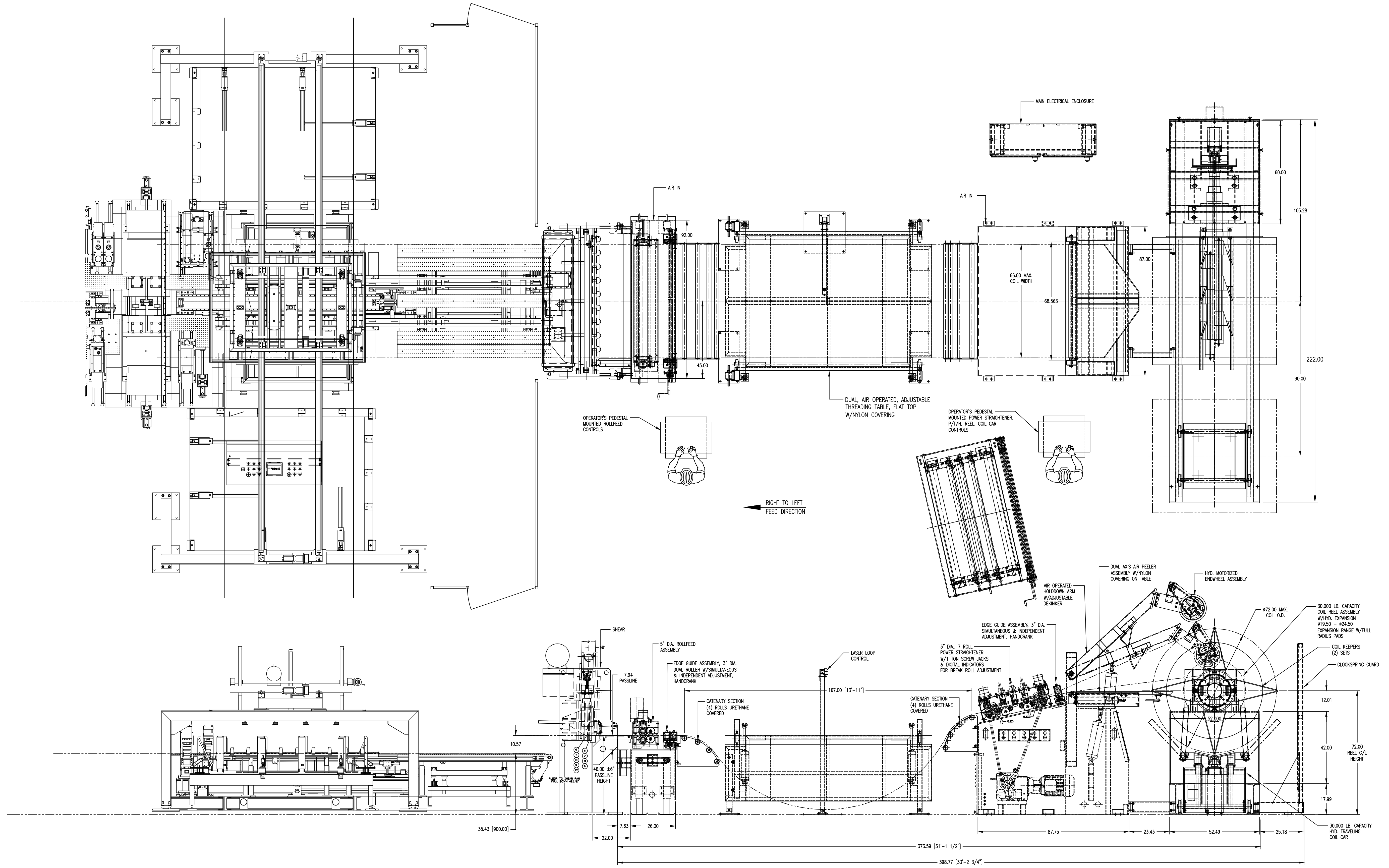


DATE	SYM	REVISION RECORD	DR	CK



CONFIDENTIAL PROPERTY  
 CHS Automation, LLC  
 Roseville, Michigan

TOLERANCES  
 UNLESS OTHERWISE SPECIFIED  
 FRACTIONAL .11/.04  
 2 PLACE DIMS .005  
 3 PLACE DIMS .0025  
 ANGLES ± .01°  
 HOLE ALL SHARP EDGES  
 ON THE SIZE AND LOCATION

**CHS** AUTOMATION  
 LINE LAYOUT (G.E.#21999-22003)

CAD COMPUTER AIDED DESIGN  
 DIMENSIONS TO CENTER UNLESS NOTED  
 NO MANUAL CHANGES

DATE: 08/30/11  
 SCALE: 1/16  
 DRAWN BY: C.P.A.  
 CHECKED BY: 1005484-E