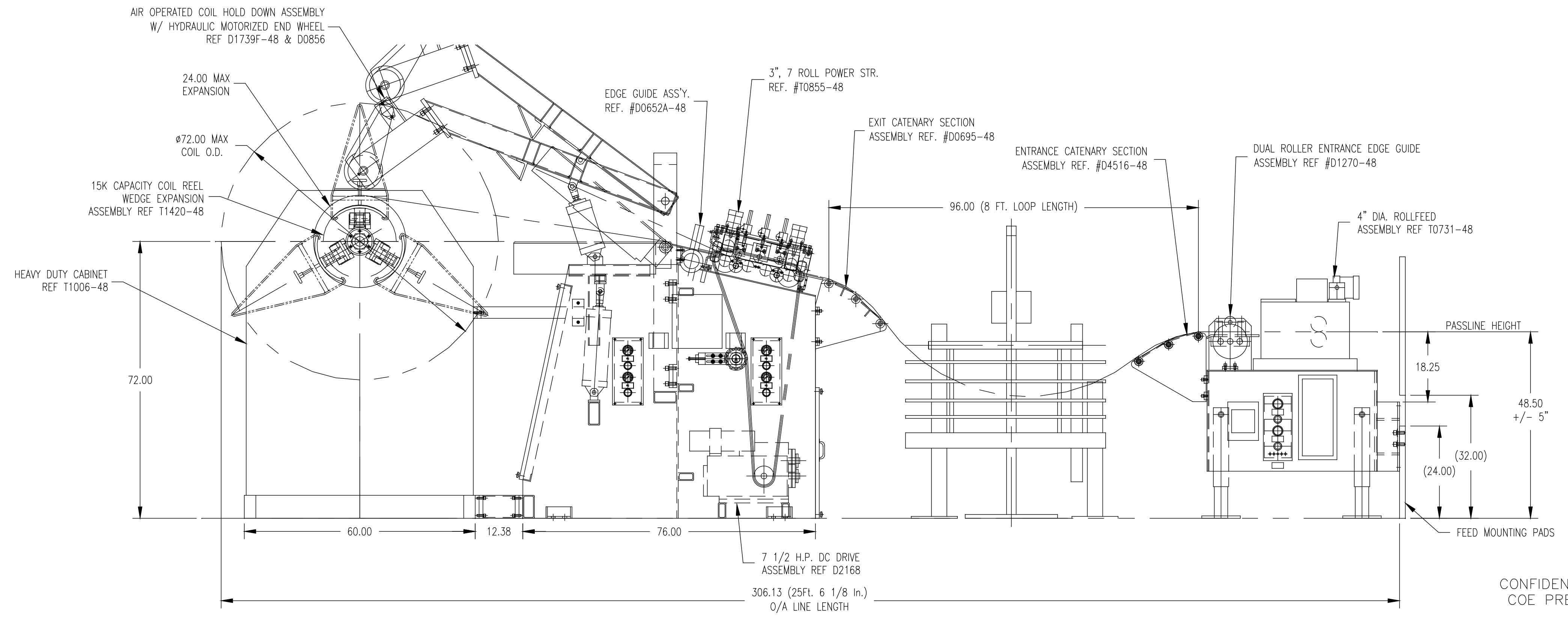
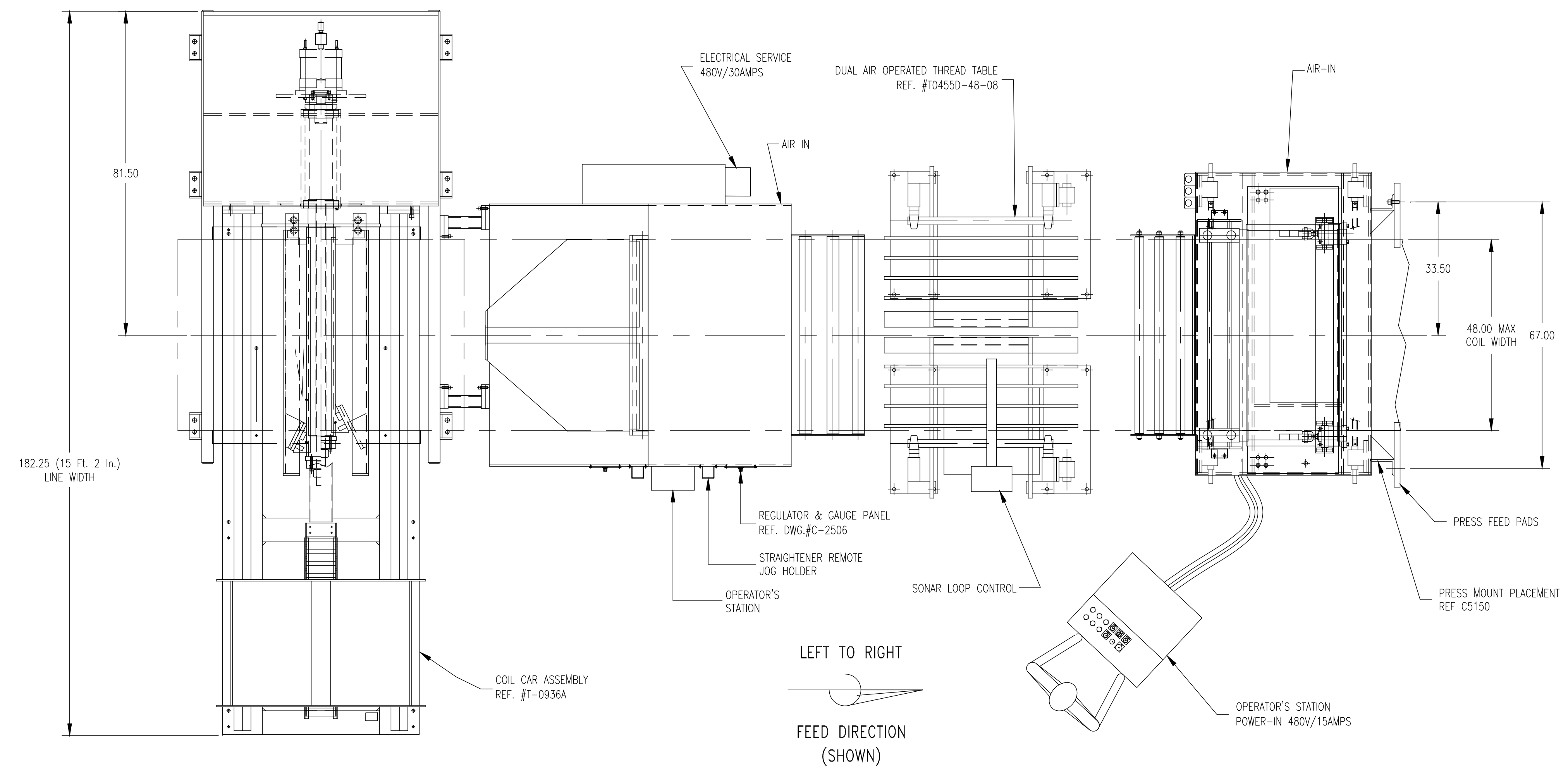


DATE	SYM	REVISION RECORD	DR	CK



LINE LAYOUT - AMANA JOB #17140

CONFIDENTIAL PROPERTY
COE PRESS EQUIPMENT

CAD COMPUTER AIDED DESIGN
CHANGE RESTRICTED
NO MANUAL CHANGES

TOLERANCES UNLESS OTHERWISE SPECIFIED		COE PRESS EQUIPMENT CORP. STERLING HEIGHTS, MI. 48310	
FRACTIONAL ±1/64		TITLE	
2 PLACE DIMS. ±.01		LINE LAYOUT	
3 PLACE DIMS. ±.005		ASSY.	SCALE
1 ANGLE ± 1/2°		DATE	DRAWN BY
BREAK ALL SHARP EDGES REMOVE ALL BURRS DO NOT SCALE DRAWINGS WORK TO DIMS.		6/6/97	SDG
DATE		CHECKED BY	D-5320

FILE: 6\VAUTOCAD