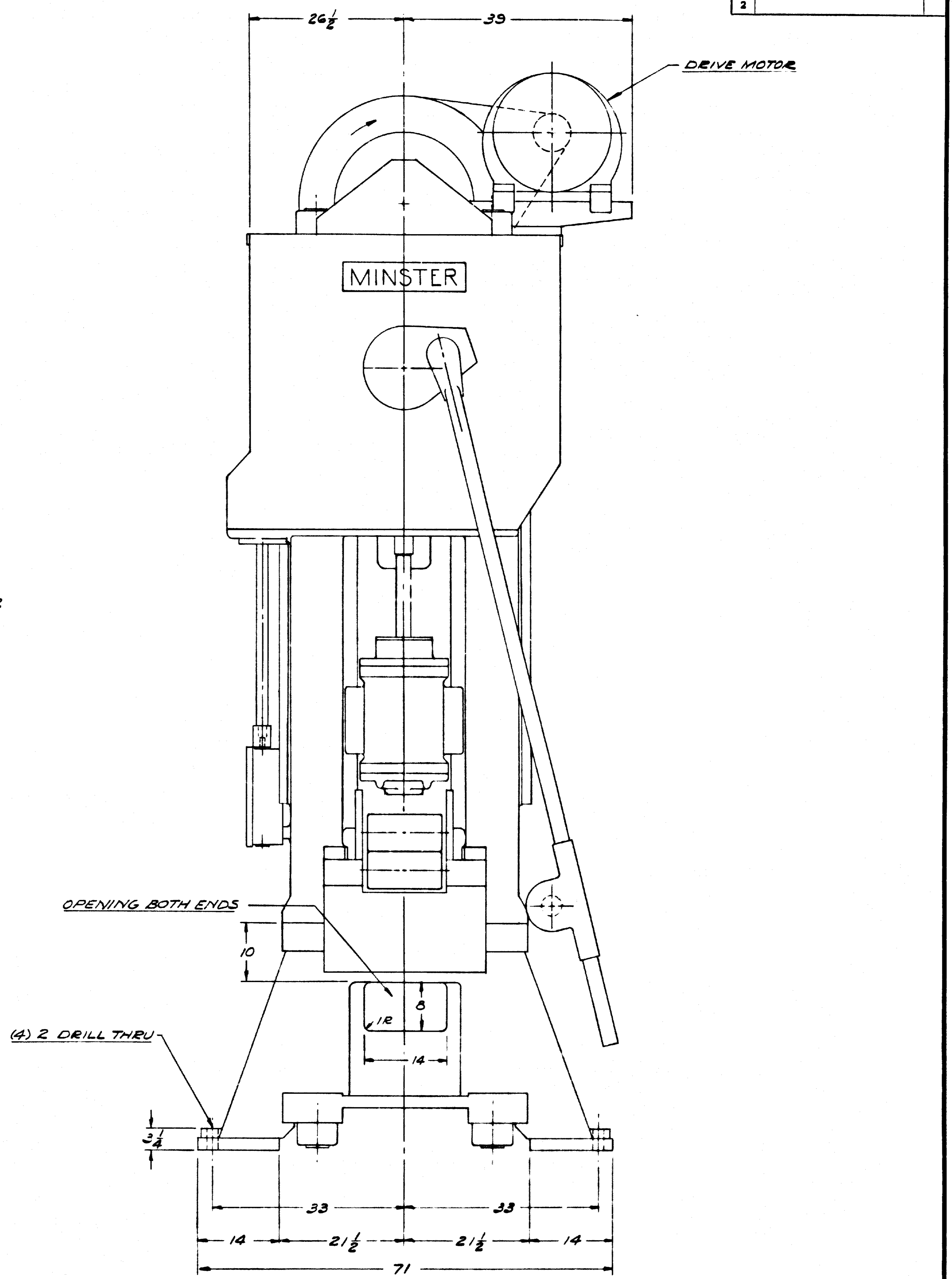
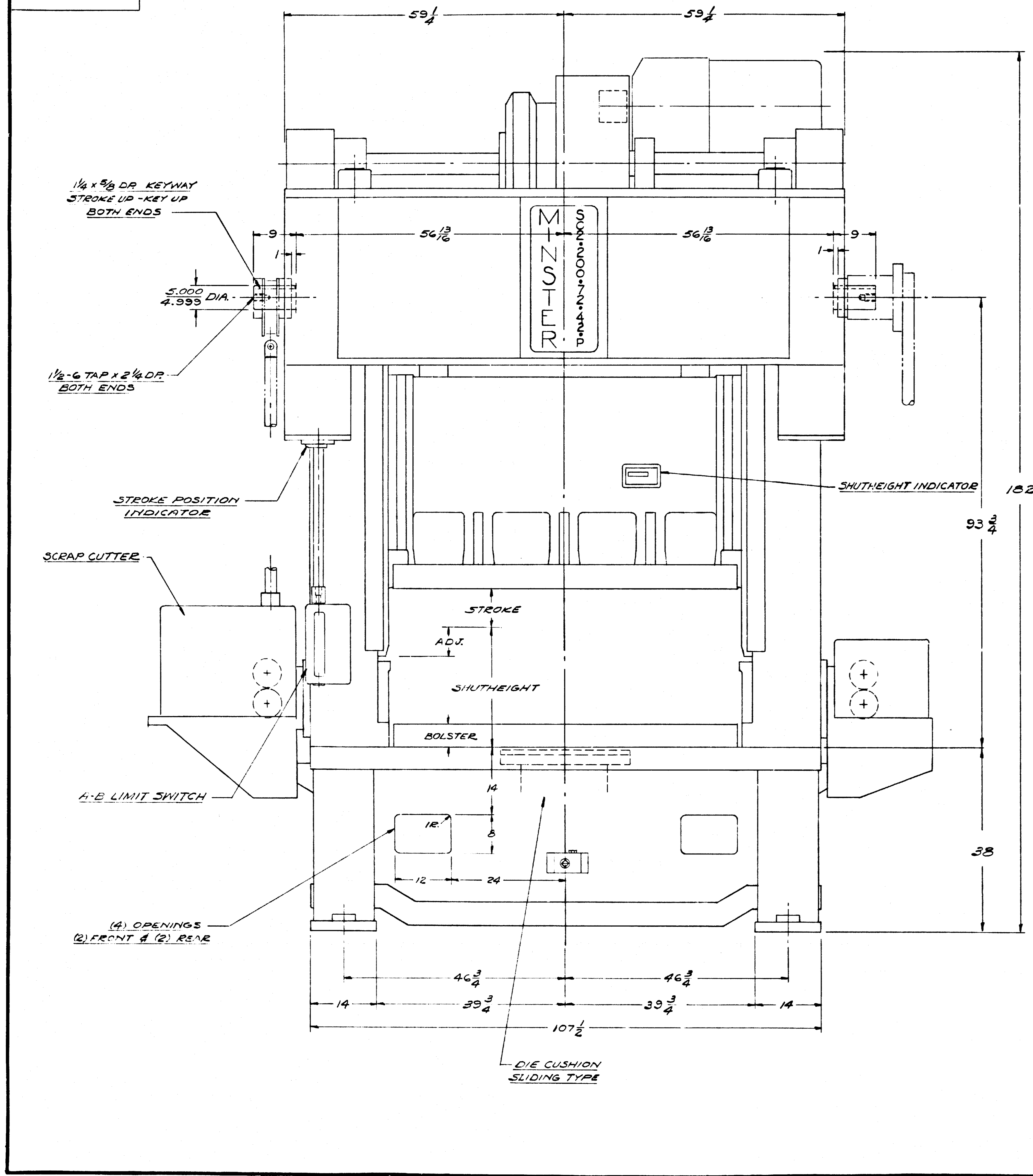


BASIC PART NO.	
REFERENCE NO.	

UNLESS OTHERWISE SPECIFIED - BREAK ALL SHARP CORNERS 1/32" - ALL FINISH DIMENSIONS 2-010

ITEM	DESCRIPTION	QTY
1		
2		



7. FIGURES	THE MINSTER MACHINE CO.			MINSTER, OHIO
Date	2-15-66	Drawn By	RW	Checked By
			DF	3/32
	GENERAL ASSEMBLY			
Material		Quantity		
By		Scale		
SC2-200-72-001-2000				