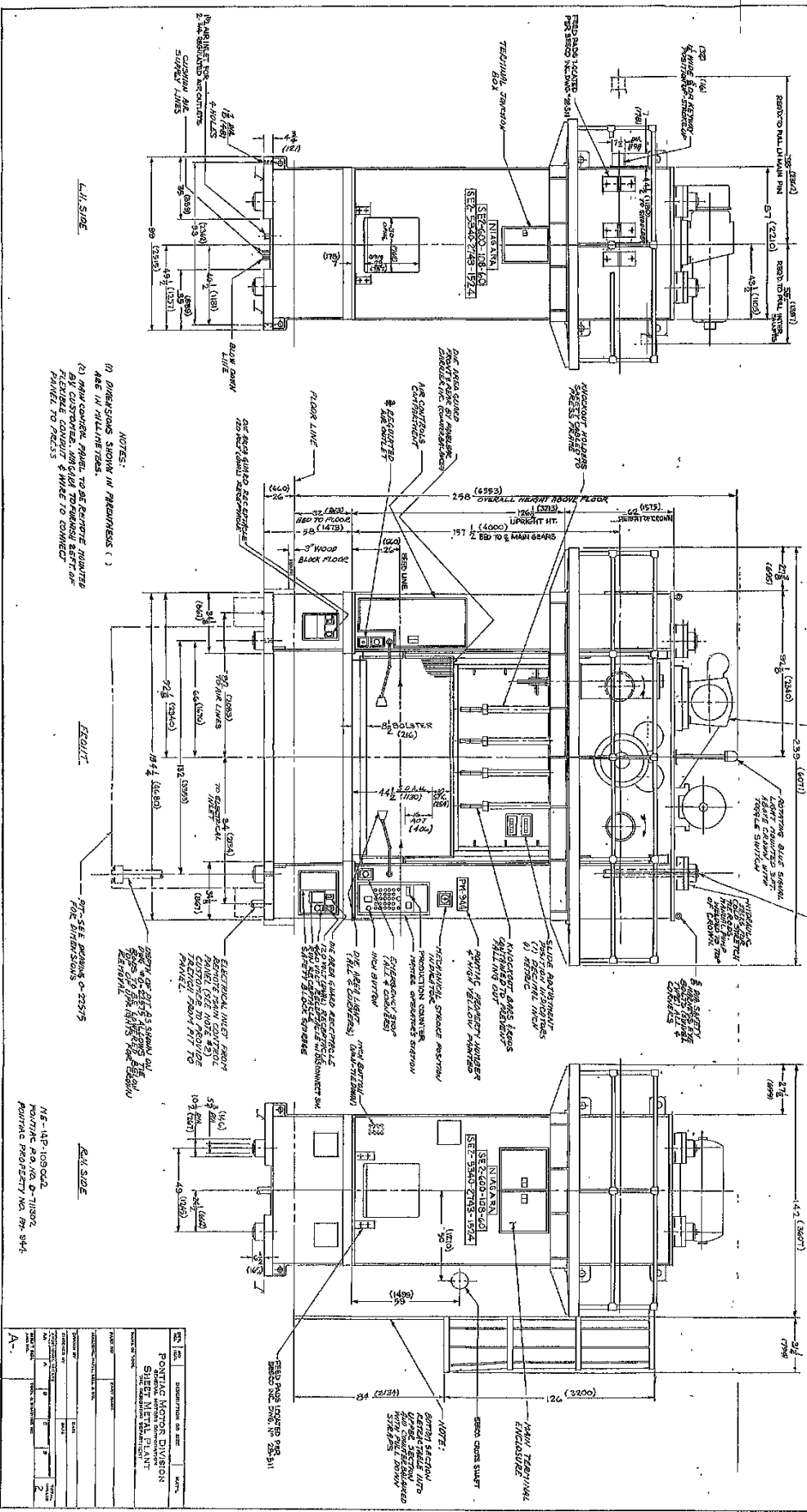


DO NOT SCALE DRAWING. THIS DRAWING IS THE PROPERTY OF NIAGARA ELECTRIC MACHINERY CO. AND IS NOT TO BE REPRODUCED OR TRANSMITTED IN ANY FORM OR BY ANY MEANS, ELECTRONIC OR MECHANICAL, INCLUDING PHOTOCOPYING, RECORDING, OR BY ANY INFORMATION STORAGE AND RETRIEVAL SYSTEM. NIAGARA ELECTRIC MACHINERY CO. IS NOT RESPONSIBLE FOR ANY DAMAGE TO PERSONS OR PROPERTY CAUSED BY THE USE OF THIS DRAWING. THE USER OF THIS DRAWING SHALL BE RESPONSIBLE FOR OBTAINING ALL NECESSARY PERMITS AND APPROVALS FROM THE APPROPRIATE AUTHORITIES. NIAGARA ELECTRIC MACHINERY CO. IS NOT RESPONSIBLE FOR ANY DAMAGE TO PERSONS OR PROPERTY CAUSED BY THE USE OF THIS DRAWING. THE USER OF THIS DRAWING SHALL BE RESPONSIBLE FOR OBTAINING ALL NECESSARY PERMITS AND APPROVALS FROM THE APPROPRIATE AUTHORITIES.

DESIGNATION: 38250
 DRAWN BY: 40500
 CHECKED BY: 83000
 APPROVED BY: 14500
 DATE: 1300
 QUANTITY: 3400 # EA.

382-400-108-40 PRESS
 GENERAL DIM. # 0-22574-58A, 1082

PRESS SPECIFICATIONS
 CAPACITY (NET WT FRONT BOTTOM) - 400 TONS (530 KILOGRAMS)
 STROKE OF SLIDE - 10' (3048 MM)
 ADJUSTMENT OF SLIDE - 1/8" (3.18 MM)
 PRESS SPEED - 44% (100 RPM)
 MAIN MOTOR - 25 H.P. (18.4 KW) (CONTINUOUS)
 SLIDE MOTOR - 7 H.P. (5.14 KW) (STARTER DRIVE)
 COUSINOS (250-26-160) - 1072 TONS (800 KILONEWTONS)



- NOTES:**
- (1) DIMENSIONS SHOWN IN PARENTHESES () ARE IN MILLIMETERS.
 - (2) NEW CUSTOMER PANEL TO BE REPAIRED HUNG BY CUSTOMER. INDICATE TO WHICH PART OF PANEL TO REPAIR.

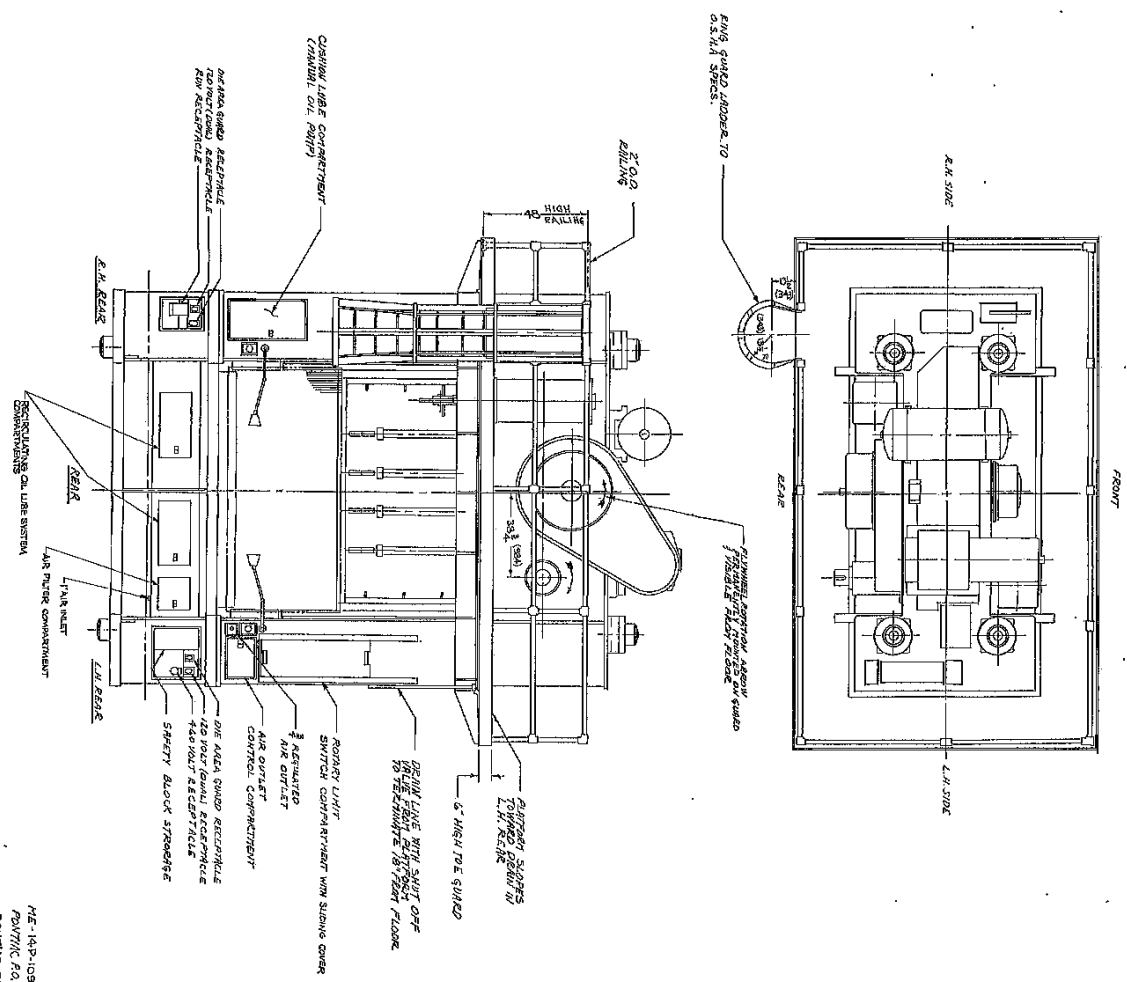
| | | |
|------|----------|----------------------------|
| REV. | DATE | DESCRIPTION OF REVISION |
| 1 | 10/20/62 | REVISED FOR 382-400-108-40 |
| 2 | 11/15/62 | REVISED FOR 382-400-108-40 |

DRAWN BY: 40500
 CHECKED BY: 83000
 APPROVED BY: 14500
 DATE: 1300

NIAGARA ELECTRIC MACHINERY CO.
 1000 W. 10TH ST.
 NIAGARA FALLS, N.Y. 14243

FILE NO: 382-400-108-40 PRESS
 TITLE: OVERALL DIMS
 DATE: 1-14-77 BY: GH
 DRAWING NO: 0-22574
 SHEET 1 OF 2
NIAGARA
 MADE IN THE U.S.A.

DO NOT SCALE DRAWING
 THIS DRAWING IS THE PROPERTY OF NIAGARA
 MANUFACTURING COMPANY AND IS NOT TO BE
 REPRODUCED OR TRANSMITTED IN ANY FORM
 OR BY ANY MEANS, ELECTRONIC OR MECHANICAL,
 INCLUDING PHOTOCOPYING, RECORDING, OR BY
 ANY INFORMATION STORAGE AND RETRIEVAL
 SYSTEM, WITHOUT THE WRITTEN PERMISSION
 OF NIAGARA MANUFACTURING COMPANY.



SER. 400-108-40 PRESS
 GENERAL DRS. NO. 22574 - SIZ. 072

ME-143-10804
 PONTIAC RA. NO. D-71502
 PONTIAC PROPERTY NO. PT-944

| | | | |
|--|------|---------------------|------|
| NO. | REV. | SUBSTITUTION OR USE | DATE |
| 1 | | | |
| PONTIAC MOTOR DIVISION SHEET METAL PLANT PONTIAC, MICHIGAN | | | |
| DATE OF ISSUE | BY | APPROVED | |
| | | | |
| TITLE: SER. 400-108-40 PRESS FILE: OVERALL DWG. DWT: 1-14-77 CHG: G41 ENG: G41 SHEET 2 OF 2 NIAGARA 0-22574 | | | |

CONFIDENTIAL & PROPRIETARY INFORMATION. The drawing and the information contained hereon are the property of Moler-Worthington Engineering, Inc. & Co. No part of this drawing is to be reproduced or transmitted in any form or by any means, electronic or mechanical, including photocopying, recording, or by any information storage and retrieval system, without the prior written permission of Moler-Worthington Engineering, Inc. & Co. This drawing is the property of Moler-Worthington Engineering, Inc. & Co. and is not to be used for any other purpose. The recipient will not disclose them in any way to any individual or entity, other than those agents or employees engaged in performing the purposes, specified and approved by MWT, and this consent will immediately expire the drawing, any copies of it and all documents derived therefrom. If by MWT upon request. Recipient's acceptance of this drawing constitutes acceptance of these terms.

88P 03 280
 111

REPRODUCED

88P 03 280
 111
 REPRODUCED
 SER. 400-108-40 PRESS
 FILE: OVERALL DWG.
 DWT: 1-14-77
 CHG: G41
 ENG: G41
 SHEET 2 OF 2
 NIAGARA
 0-22574