

SPECIFICATIONS

MODEL NO. - 10 O.B.

SERIAL NO. - 10018-85

CUSTOMER - Apex Metals Limited

Capacity	<u>200 Ton</u>
Crank Bearing Dias. Main & Pin	<u>7 1/2" - 11"</u>
Bed Area	<u>58" R-L x 34" F-B</u>
Flanged Ram Area	<u>48 1/2" R-L x 28" F-B</u>
Stroke	<u>12"</u>
Shut Height over Bolster, SDAU	<u>20"</u>
Ram Adjustment	<u>4 1/2"</u>
Speed - S.P.M.	<u>40</u>
Overall, Weight (approx.)	<u>58,000 lb.</u>

PNEUMATIC DIE CUSHION

Size	<u>24"</u>
Capacity @ 100 P.S.I.	<u>23 Ton</u>
Stroke	<u>6"</u>

SPECIFICATIONS

MODEL NO. - 10 O.B.

SERIAL NO. - 10018-85

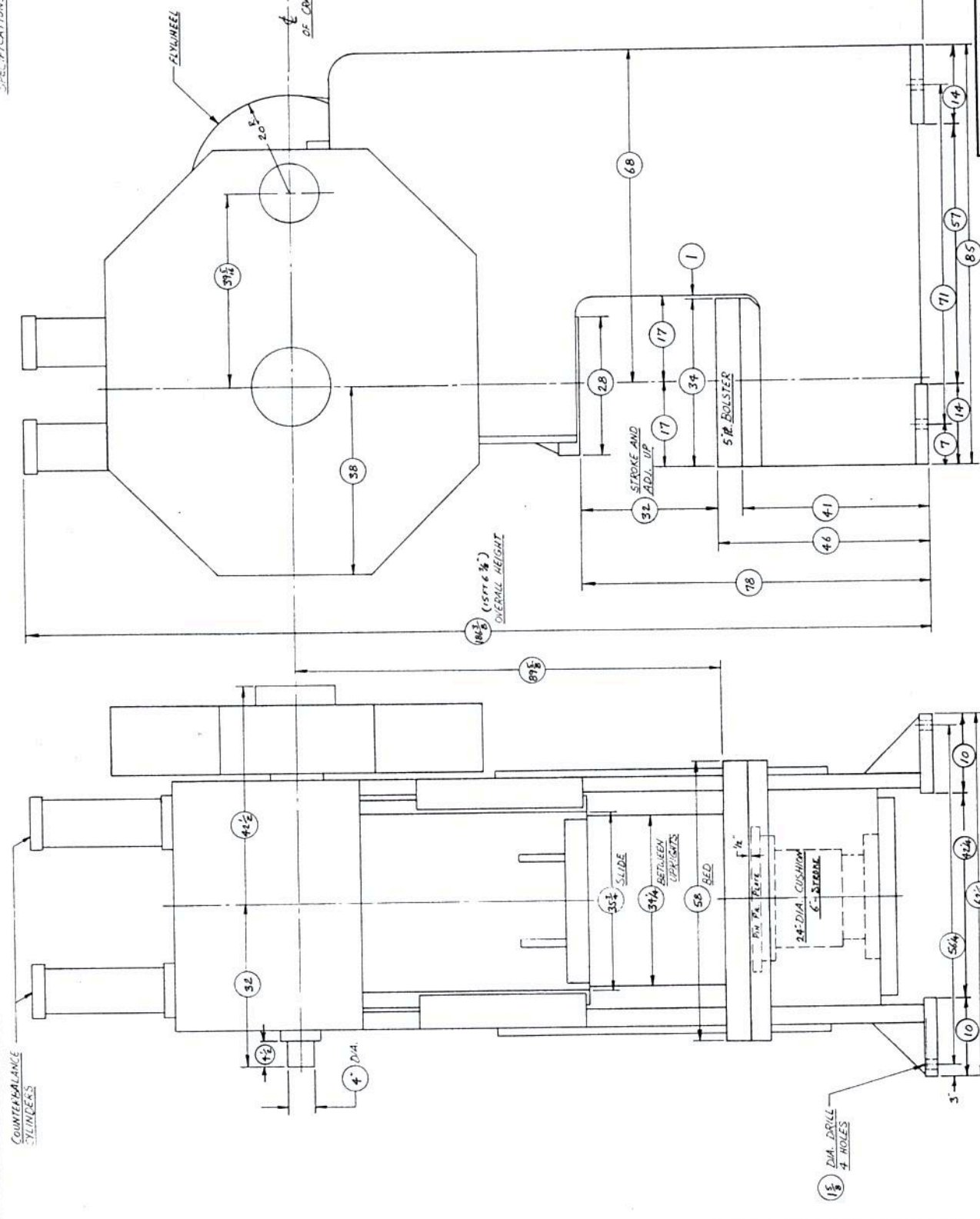
CUSTOMER - Apex Metals Limited

Capacity	<u>200 Ton</u>
Crank Bearing Dias. Main & Pin	<u>7 1/2" - 11"</u>
Bed Area	<u>58" R-L x 34" F-B</u>
Flanged Ram Area	<u>48 1/2" R-L x 28" F-B</u>
Stroke	<u>12"</u>
Shut Height over Bolster, SDAU	<u>20"</u>
Ram Adjustment	<u>4 1/2"</u>
Speed - S.P.M.	<u>40</u>
Overall, Weight (approx.)	<u>58,000 lb.</u>

PNEUMATIC DIE CUSHION

Size	<u>24"</u>
Capacity @ 100 P.S.I.	<u>23 Ton</u>
Stroke	<u>6"</u>

SPECIFICATIONS: - STROKE - 12"
 - SHUT HEIGHT OVER BOLSTER, SDAU - 20"
 - PRESS. SPEED - 4-0.5PM
 - RAM ADJUSTMENT - 4 1/2"
 - OVERALL HEIGHT - 58.000CIP (APPROX.)



FOR INFORMATION
 PRELIMINARY
 FOR APPROVAL
 FOR CONSTRUCTION
 SIGNED: P.H.H. DATE: OCT 26 1984
 BLOW PRESS LTD.
 ACTON, ONTARIO

Open Metals Ltd.
 Toronto

THIS DRAWING IS THE PROPERTY OF BLOW PRESS LIMITED AND IS LOANED TO YOU FOR YOUR INFORMATION ONLY. IT IS NOT TO BE REPRODUCED OR COPIED IN ANY MANNER WITHOUT THE WRITTEN PERMISSION OF BLOW PRESS LIMITED. IT IS TO BE RETURNED TO US IMMEDIATELY UPON REQUEST.	
CUSTOMER: Open Metals Ltd.	TYPE: P.B.
TONNAGE: 200	DATE: OCT 26 1984
DRAWN BY: A.B. DATE: OCT 26 1984	
REVISIONS: 1000-5-G.R.	
BLOW PRESS LIMITED ACTON, ONTARIO	
GENERAL ARRANGEMENT	