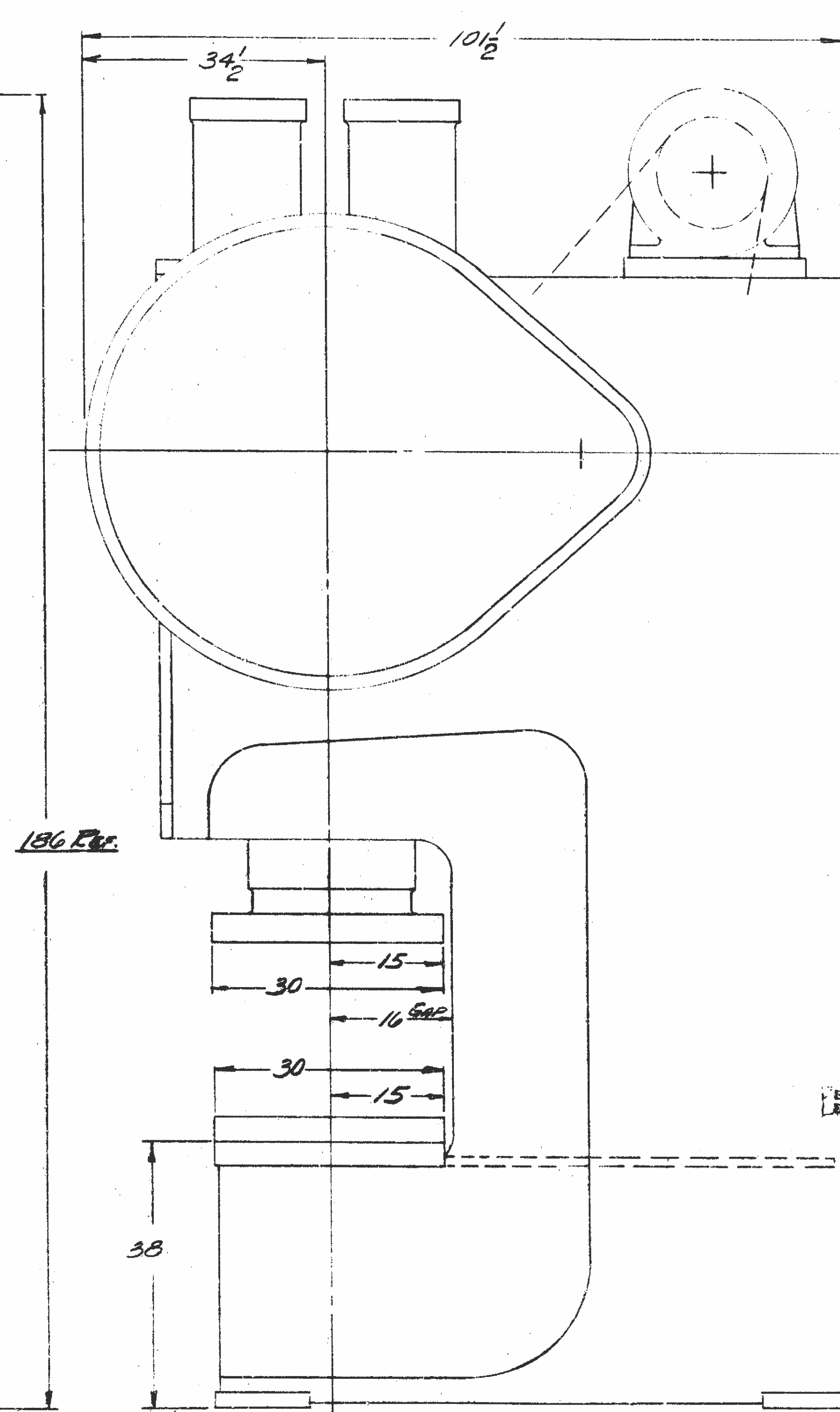
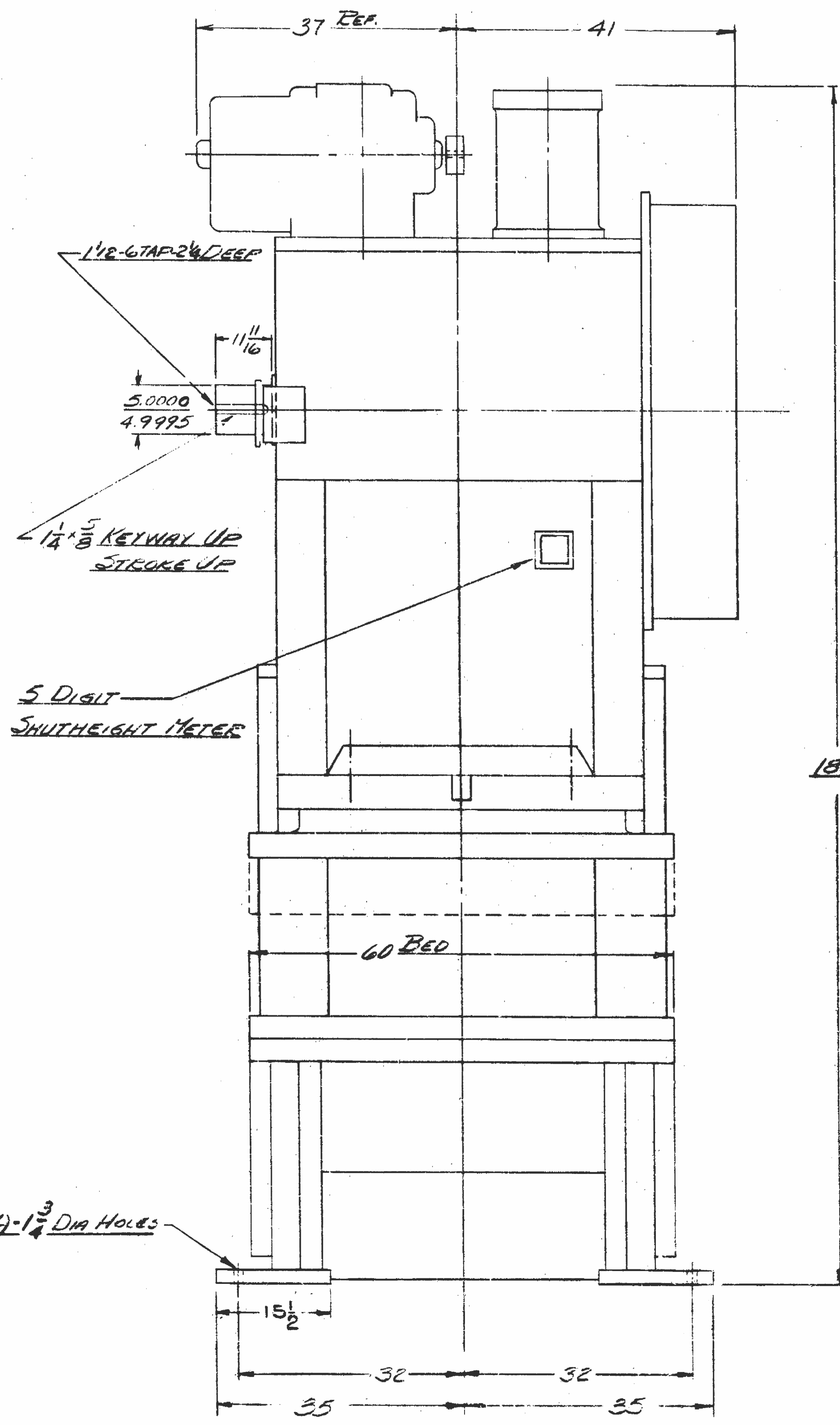
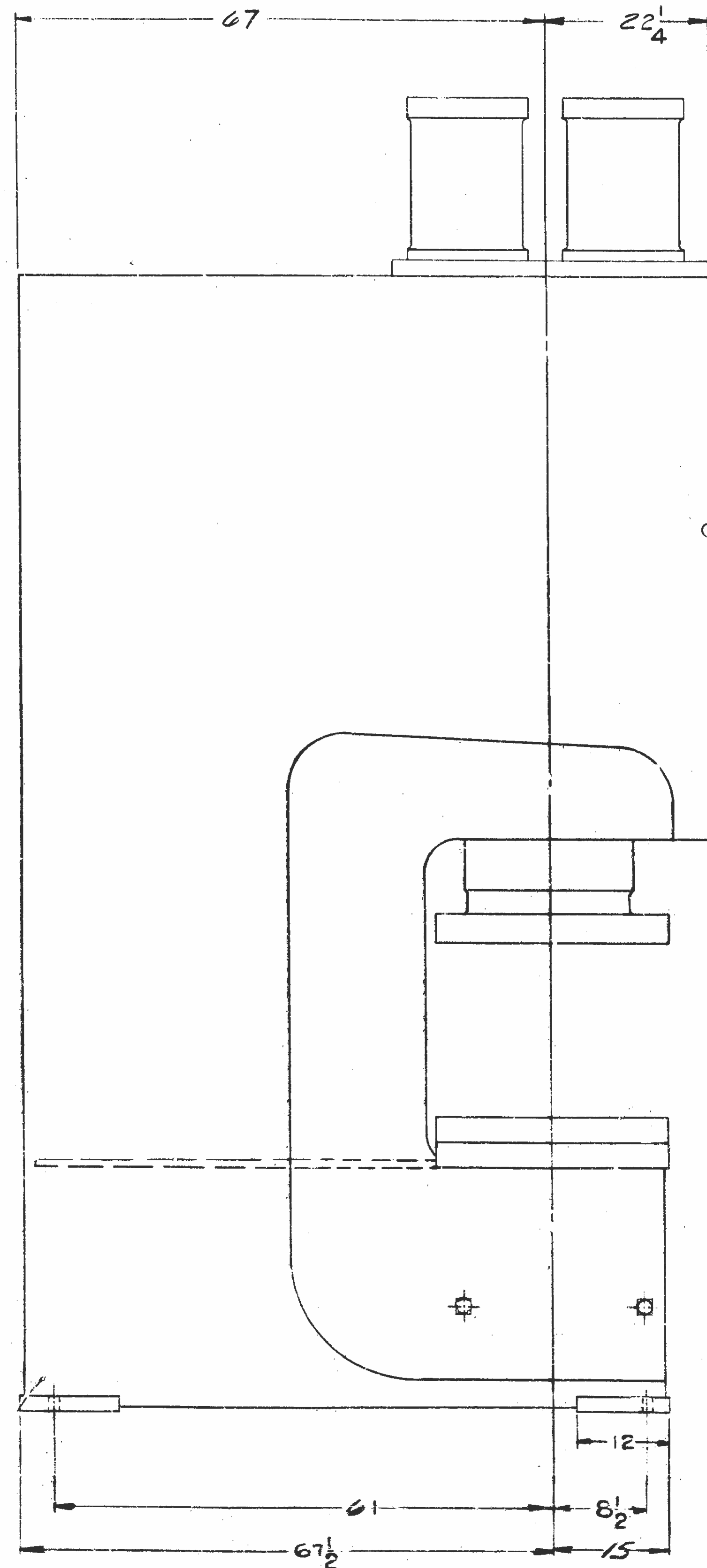


BASIC PART NO. 2000
 G2-200-00
 V-1033-161

UNLESS OTHERWISE SPECIFIED, BREAK ALL SHARP CORNERS 1/32". ALL FINISH DIMENSIONS ±.010

ITEM	DESCRIPTION	REQ.
1		
2		



EQUIPPED WITH AIR OPERATED FLYWHEEL BRAKE
 ELECTRICALLY INTERLOCKED WITH DRIVE STOP CIRCUIT.
 MINSTER PRESS - G2-200-60-30
 CAPACITY - 200 TONS, SPM 30 TO 60
 ARRANGE FOR THREE KNOCKOUTS BUT CENTER
 ONLY TO BE FURNISHED
 COUNTERBALANCE CYLINDERS
 MINSTER VISCO MATIC RECIRCULATING OIL SYSTEM

PRINT - VISTA GREEN

THE MINSTER MACHINE CO.	MINSTER, OHIO
11-1-67	3/32
LAYOUT - GENERAL	455-V
G2-200	
ONE V 1033-161	

1033-161_000