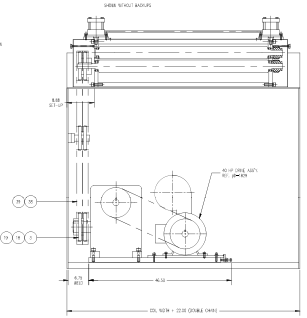
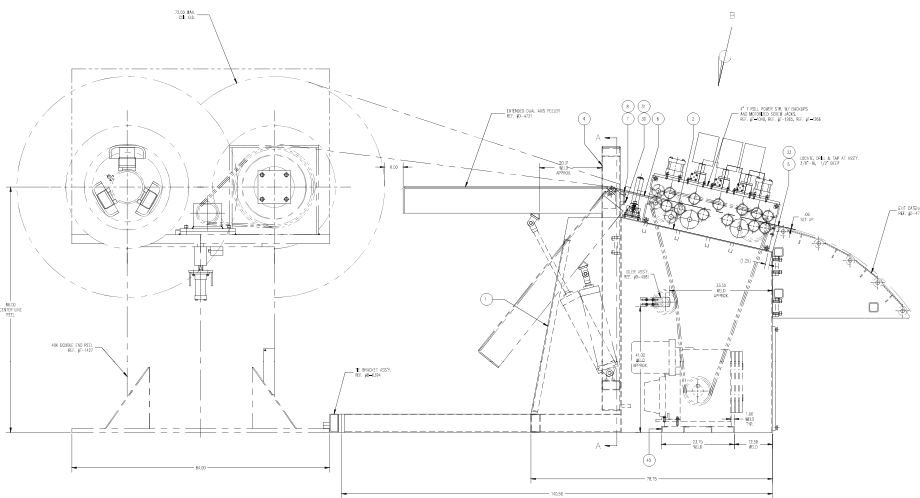
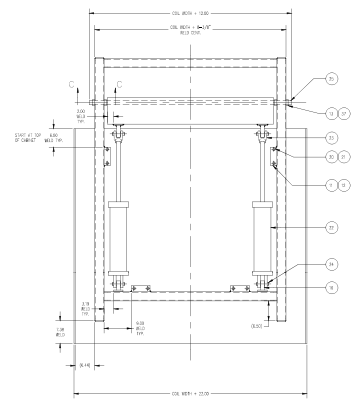
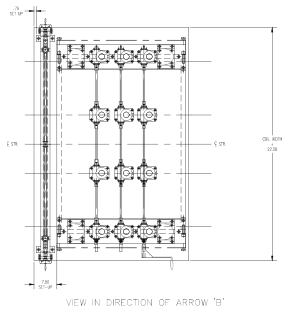


LET TO RIGHT  
FEED DIRECTION (DOWN)



1	1	2" x 2" x 1/8" BRASS WHEEL
2	2	BRASS BRUSH
3	1	BRASS WHEEL
4	1	BRASS WHEEL
5	1	BRASS WHEEL
6	1	BRASS WHEEL
7	1	BRASS WHEEL
8	1	BRASS WHEEL
9	1	BRASS WHEEL
10	1	BRASS WHEEL
11	1	BRASS WHEEL
12	1	BRASS WHEEL
13	1	BRASS WHEEL
14	1	BRASS WHEEL
15	1	BRASS WHEEL
16	1	BRASS WHEEL
17	1	BRASS WHEEL
18	1	BRASS WHEEL
19	1	BRASS WHEEL
20	1	BRASS WHEEL

CONVENTIONAL PROGRAM CODE PRESS EQUIPMENT		NO. 12	NO. 12
1	1	NO. 12	NO. 12
2	2	NO. 12	NO. 12
3	3	NO. 12	NO. 12
4	4	NO. 12	NO. 12
5	5	NO. 12	NO. 12
6	6	NO. 12	NO. 12
7	7	NO. 12	NO. 12
8	8	NO. 12	NO. 12
9	9	NO. 12	NO. 12
10	10	NO. 12	NO. 12
11	11	NO. 12	NO. 12
12	12	NO. 12	NO. 12
13	13	NO. 12	NO. 12
14	14	NO. 12	NO. 12
15	15	NO. 12	NO. 12
16	16	NO. 12	NO. 12
17	17	NO. 12	NO. 12
18	18	NO. 12	NO. 12
19	19	NO. 12	NO. 12
20	20	NO. 12	NO. 12