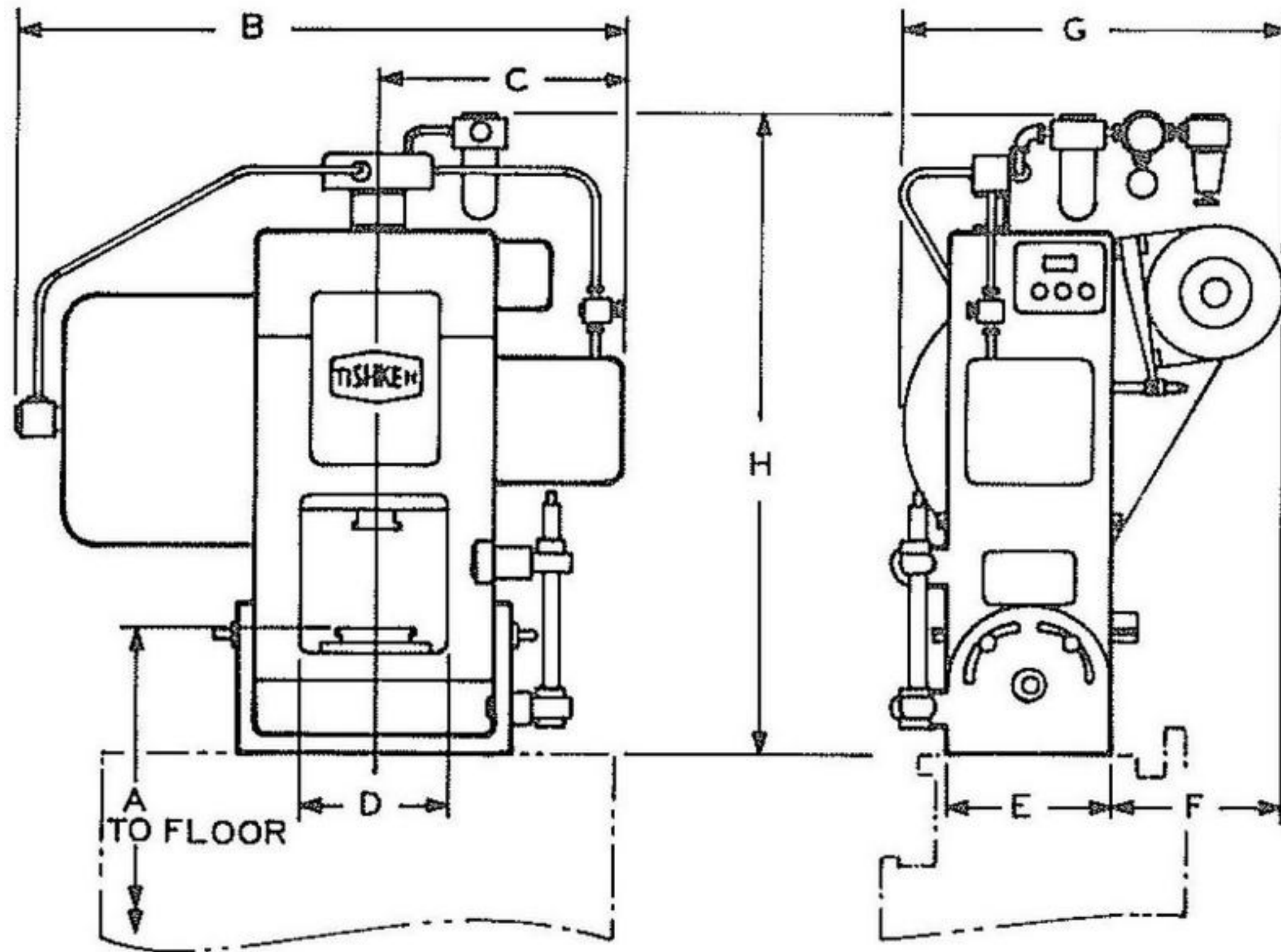
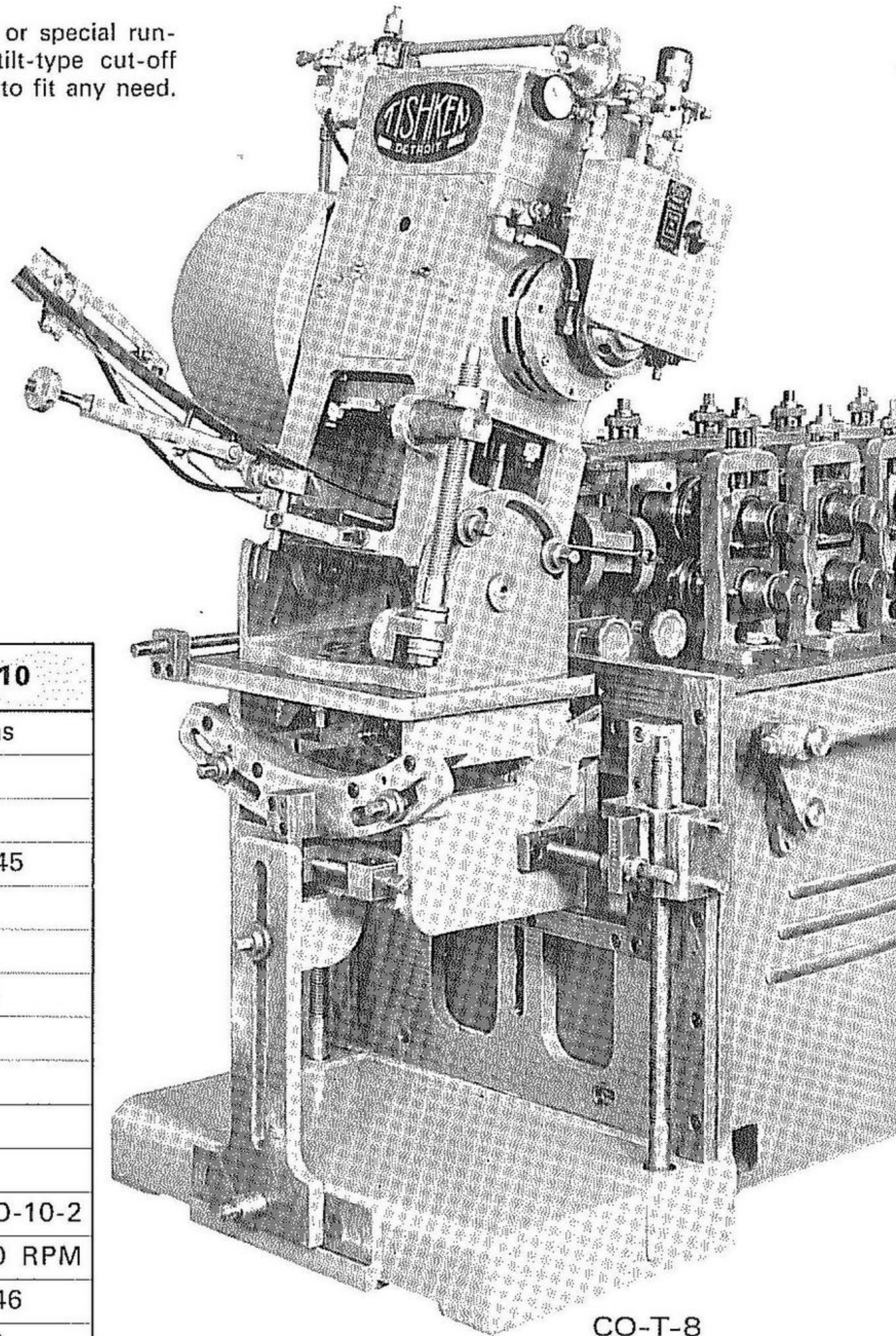


"TILT-TYPE" CUT-OFFS (PATENTED)



Fixed, universal or special run-out tables for tilt-type cut-off machines made to fit any need.



CO-T-8

SPECIFICATIONS	CO-T-6	CO-T-8	CO-T-10
Approximate capacity	18 tons	25 tons	50 tons
Maximum stock width	4	6	8
Standard stroke	2	2	2
"A" Floor to slide height.	30 to 46	30 to 46	30 to 45
"B" Overall width	39	44	58
"C" Dimension	16	18	26
"D" Frame opening	9½	11½	14½
"E" Dimension	12	12	15
"F" Dimension	13	13	16
"G" Dimension	28	29	34
"H" Height dimension	41	45	54
Die slide dimension	Same as CO-6-2	Same as CO-8-2	Same as CO-10-2
Motor size and speed	3HP-1200 RPM	5HP-1200 RPM	10HP-1200 RPM
Floor Space—approx.	23 x 38	24 x 38	28 x 46
Shipping weight (lbs.)—approx.	3100	3600	6100