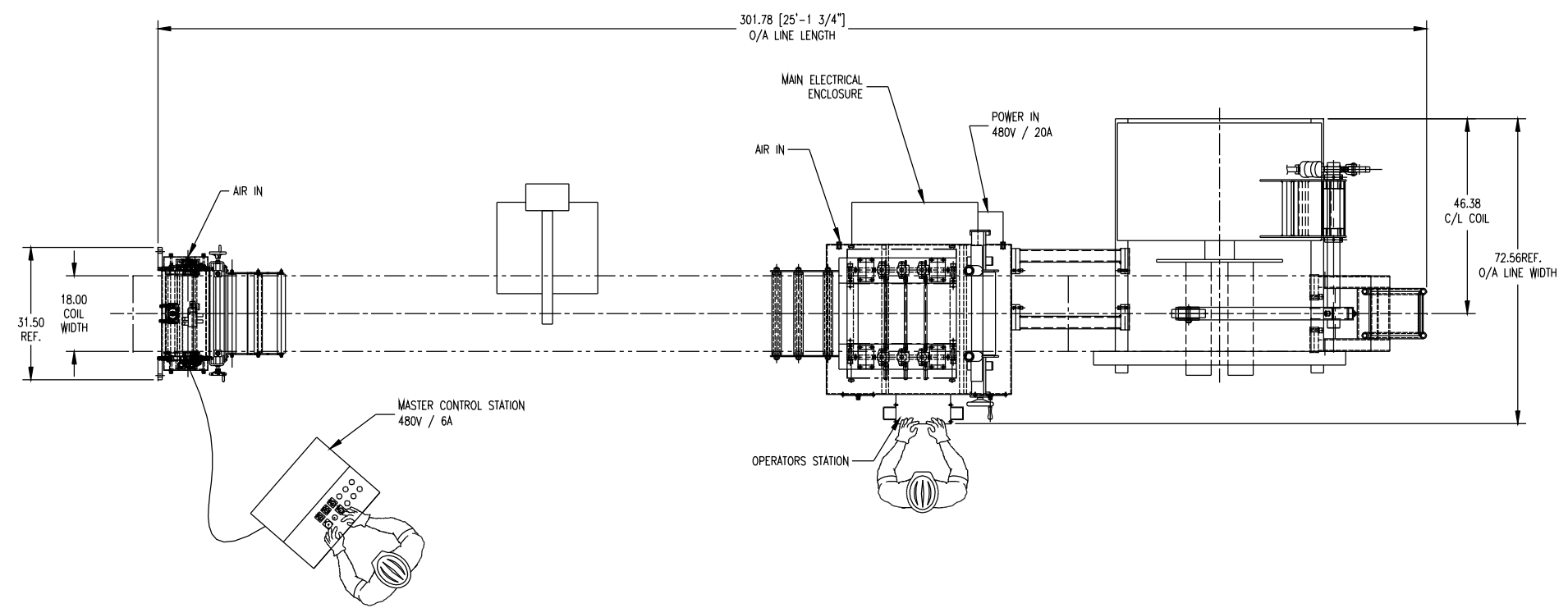

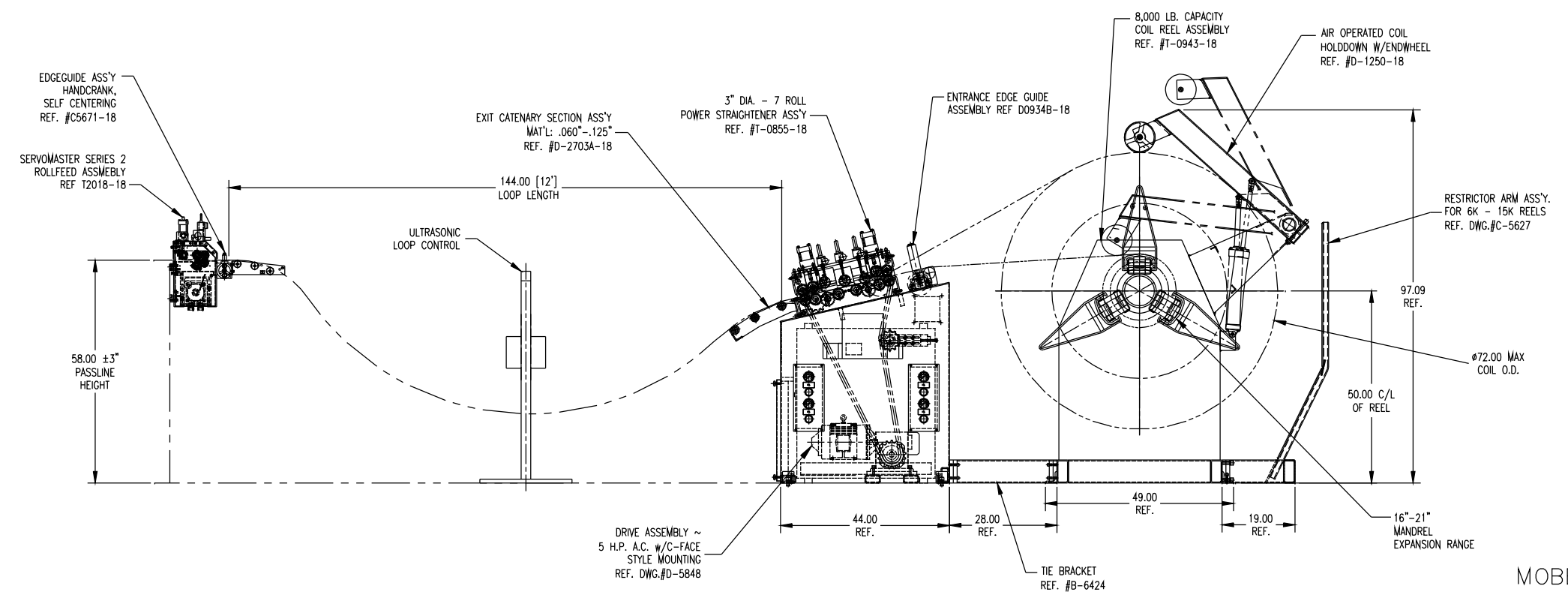


| DATE | SYM | REVISION RECORD | DR | CK |
|------|-----|-----------------|----|----|
| | | | | |



RIGHT TO LEFT

 FEED DIRECTION
 (SHOWN)



MOBERLY BRAKE #23444

CONFIDENTIAL PROPERTY
COE PRESS EQUIPMENT

| | | | |
|--|--|--|------------|
| TOLERANCES UNLESS OTHERWISE SPECIFIED | | COE PRESS EQUIPMENT CORP. STERLING HTS., IN 48310 | |
| FRACTIONAL ±1/64 | | TITLE | |
| 2 PLACE DIMS. ±.01 | | LINE LAYOUT | |
| 3 PLACE DIMS. ±.005 | | ASSY. | SCALE |
| ANGLES ± 1/2" | | 1/16 | DRAWN BY |
| BREAK ALL SHARP EDGES REMOVE ALL BURRS DO NOT SCALE DRAWING WORK TO DIMS. | | DATE | CHECKED BY |
| CAD COMPUTER AIDED DESIGN CHANGE RESTRICTED NO MANUAL CHANGES | | 8/24/99 | FAB |
| | | | D-6564 |

FILE: G:\AUTOCAD\MECH\D-PRINTS\D-6564