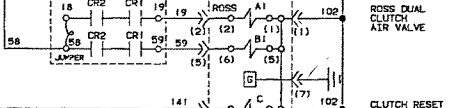
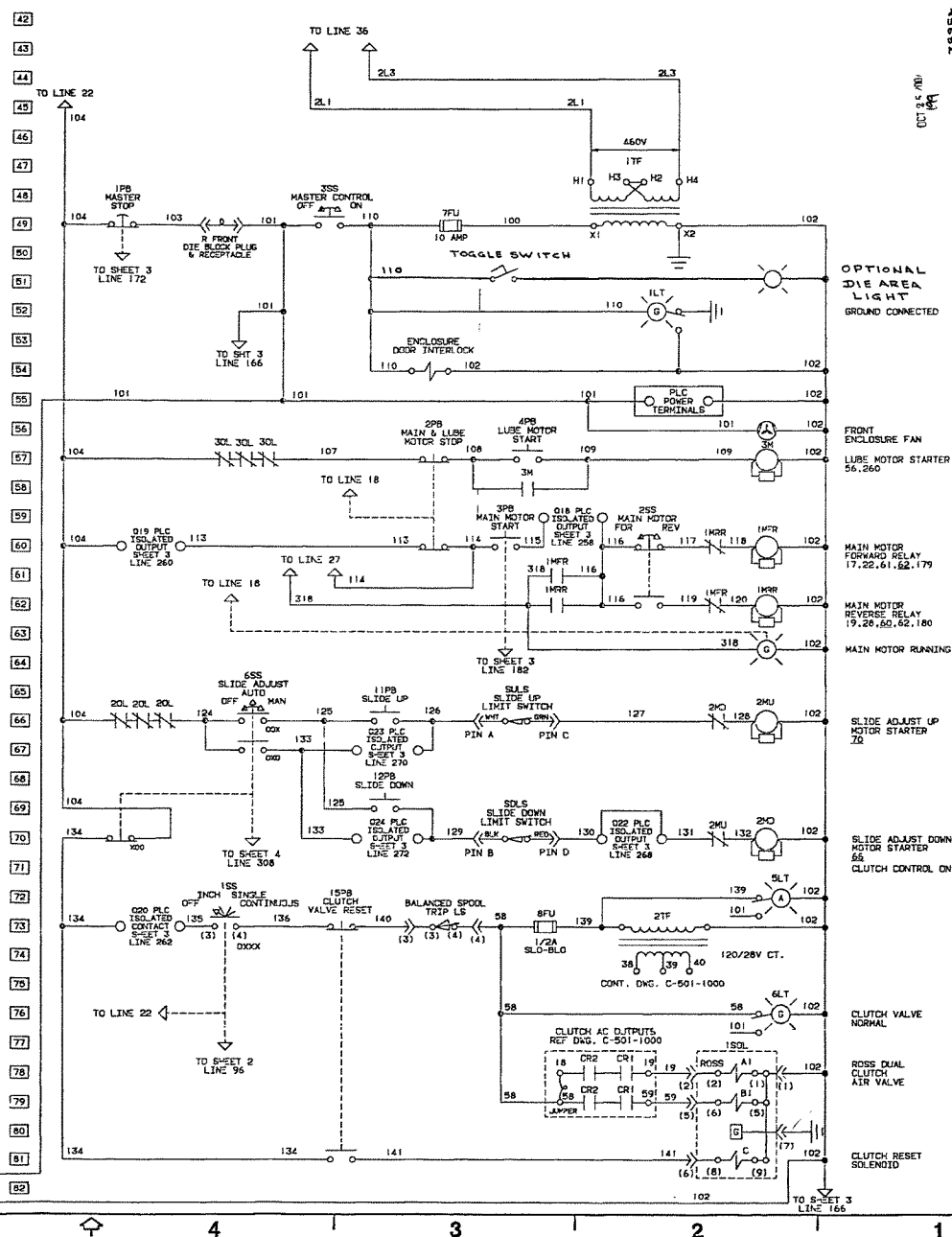
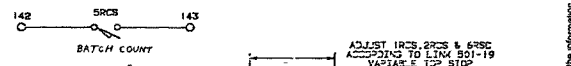
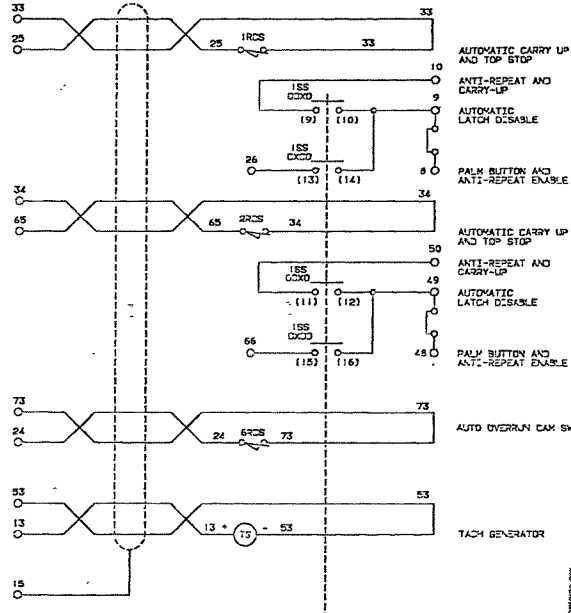
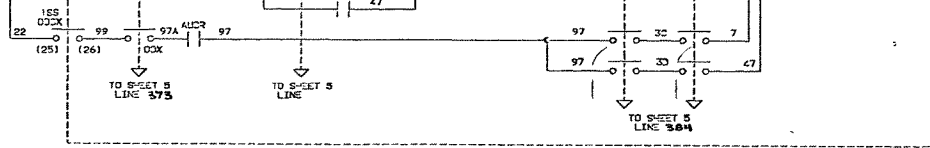
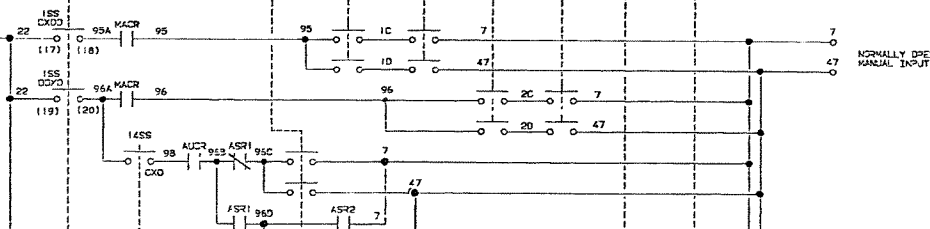
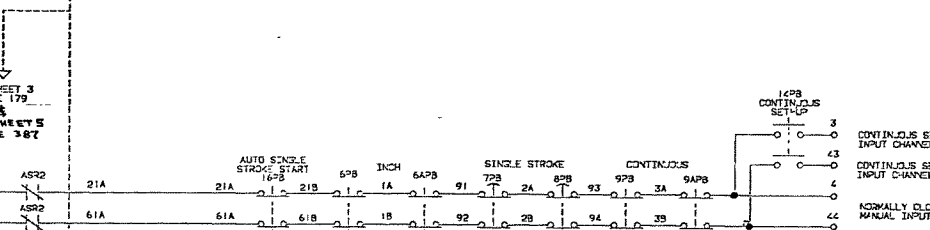
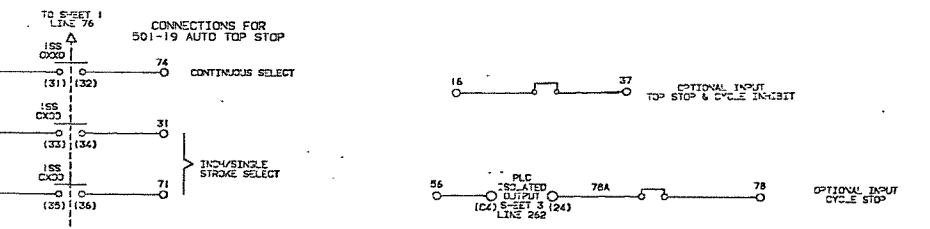
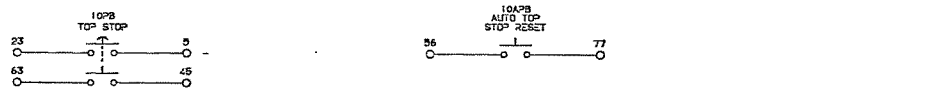
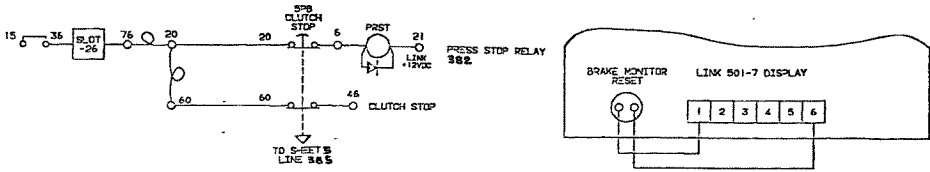


CONFIDENTIAL & PROPRIETARY INFORMATION This drawing and the information it contains are the property of Müller Wengertler Technologie GmbH & Co. KG ("MW T") and are being provided upon the understanding and agreement between MW T and recipient that recipient will use them only for purposes specified and approved by MW T and will not use them for any other purposes, that recipient will not disclose them in any way to any individual or entity, other than recipient's agents or employees engaged in performing the purposes, specified and approved by MW T, and that recipient will immediately return this drawing, any copies of it, and all documents summarizing information from it to MW T upon request. Recipient's acceptance of delivery of this drawing constitutes acceptance of these terms



DRAWING NUMBER		0-35812
REVISION		
DATE		
DRAWN BY		
CHECKED BY		
APPROVED BY		
SCALE		
SHEET		
TOTAL SHEETS		
PROJECT NUMBER		
PROJECT TITLE		
CUSTOMER		
DATE		
DRAWING SCALE		
DRAWING DATE		
DRAWING NUMBER		0-3667

WARNING
DO NOT TOUCH THIS CONTROL CIRCUIT



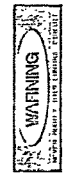
LINE	FUNCTION	CAM	DEGREES						OPERATIONAL
			45	90	135	180	225	270	
126	ADJUSTABLE CARRY-UP	IRCS							- 120
132	ADJUSTABLE CARRY-UP	2RCS							- 120
65	COUNTER	3RCS							180 - 210
272	WHEELS OVERLAP	4RCS							330 - 60
146	TACH GENERATOR	5RCS							195 - 210
139	AUTO OPEN	6RCS							350 - 120

INDICATES WHEN SWITCH IS CLOSED

LINE REF	CONTACTS	182	73	102	183	128	134	133	136	112	114	120	97	99	101	21	DPT	311	310
		OFF	1-2	3-4	5-6	7-8	9-10	11-12	13-14	15-16	17-18	19-20	25-26	31-32	33-34	35-36	37-38	39-40	41-42
INCH																			
SINGLE STROKE																			
CONTINUOUS																			

INDICATES CLOSED CONTACT

CONFIDENTIAL & PROPRIETARY INFORMATION. This drawing and the information it contains are the property of Miller Welding Technology GmbH & Co. KG (MWT) and are being provided upon request for your information only. It is not to be used for any other purpose or to be reproduced without the express written consent of MWT. If you are not an authorized recipient, you are notified that disclosing, copying, distributing, taking, or otherwise using the information contained herein in any way to any individual or entity, other than recipient agents or employees, is strictly prohibited. If you are an authorized recipient, you are notified that disclosing, copying, distributing, taking, or otherwise using the information contained herein in any way to any individual or entity, other than recipient agents or employees, is strictly prohibited. If you are an authorized recipient, you are notified that disclosing, copying, distributing, taking, or otherwise using the information contained herein in any way to any individual or entity, other than recipient agents or employees, is strictly prohibited. If you are an authorized recipient, you are notified that disclosing, copying, distributing, taking, or otherwise using the information contained herein in any way to any individual or entity, other than recipient agents or employees, is strictly prohibited.



NO. 01.00/000 7695M

DATE: 01.00/000

REVISIONS:

NO.	DATE	BY	CHKD.	DESCRIPTION
1				

ATTENTION: THIS DRAWING IS THE PROPERTY OF MILLER WELDING TECHNOLOGY GMBH & CO. KG. IT IS NOT TO BE USED FOR ANY OTHER PURPOSE OR TO BE REPRODUCED WITHOUT THE EXPRESS WRITTEN CONSENT OF MWT.

LINK PART #102729

0-35625

0-36679

83
84
85
86
87
88
89
90
91
92
93
94
95
96
97
98
99
100
101
102
103
104
105
106
107
108
109
110
111
112
113
114
115
116
117
118
119
120
121
122
123

124
125
126
127
128
129
130
131
132
133
134
135
136
137
138
139
140
141
142
143
144
145
146
147
148
149
150
151
152
153
154
155
156
157
158
159
160
161
162
163
164

D
C
U
A
RIGHT ANGLE