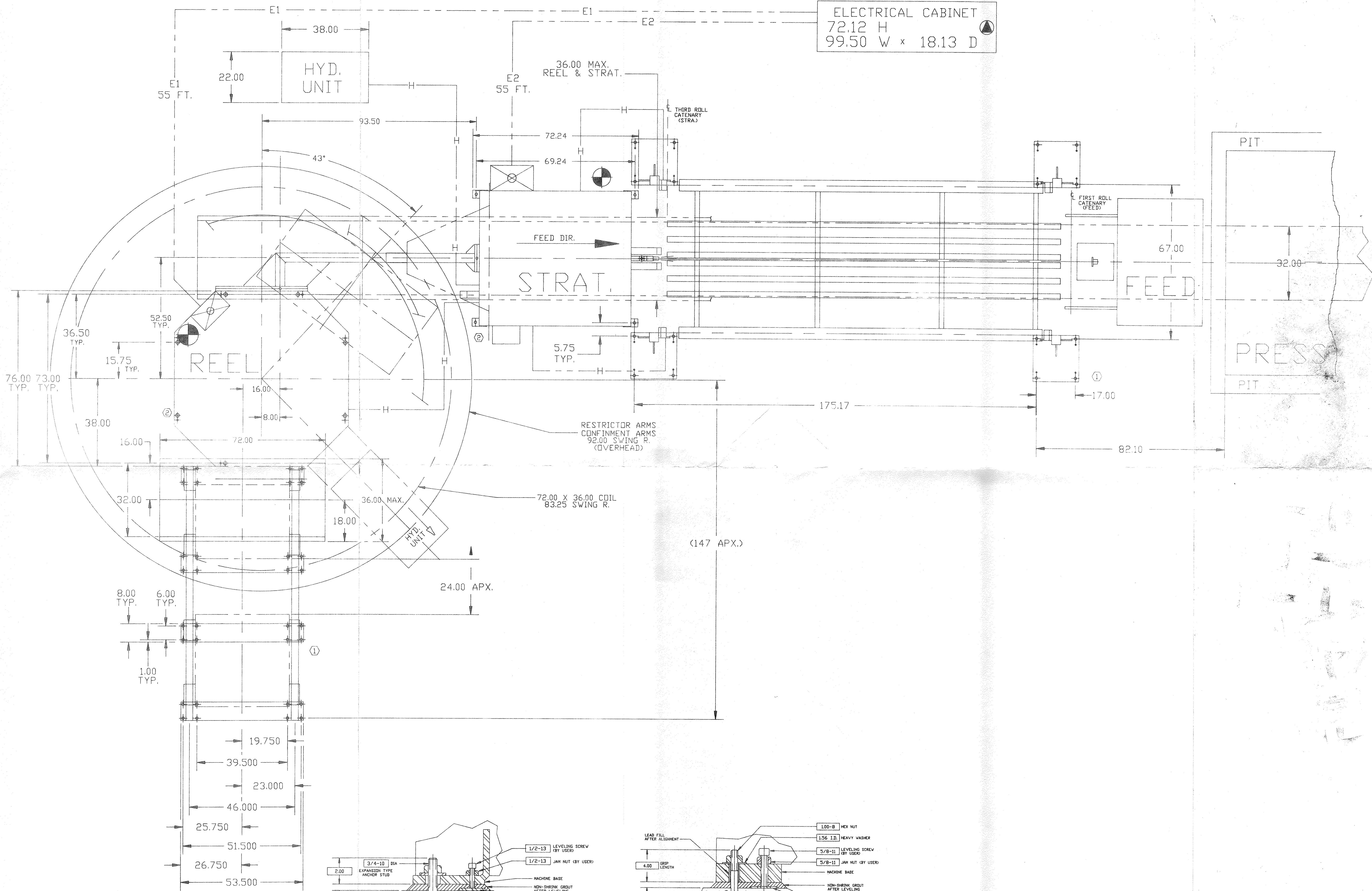
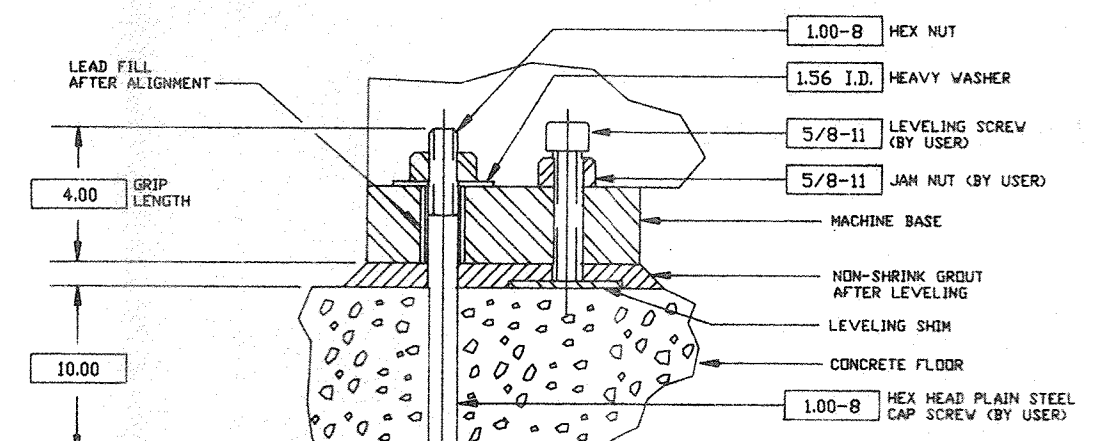
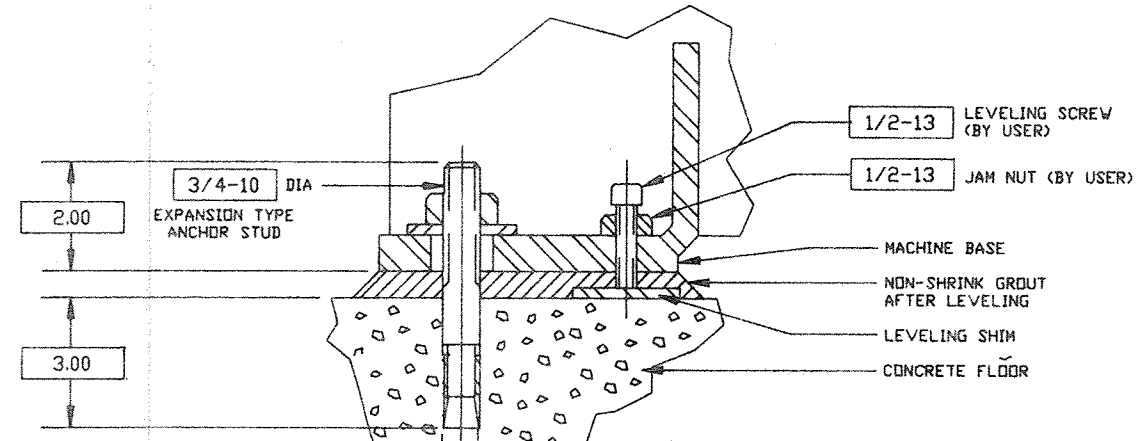


DWG. NO. D-103021					
DATE	EC NO.	SYN.	REVISION	BY	
9-18-93		A	UPDATE PER APRVAL	JAS	



The design of the machinery, apparatus, equipment and mechanisms and parts thereof shown on this drawing, the specifications and the property of Perfecto and are secret and confidential. The drawings, specifications and parts shall not be copied or reproduced in whole or in part, nor shall any design, specification or structure of any machinery apparatus, equipment or mechanism, or part thereof, shown on this drawing, or any part of the specifications be incorporated into any machinery apparatus, equipment or mechanism without the prior written consent of Perfecto unless the same is generally recognized to be in the public domain.



MACHINE NOTES 1. REMOVE ALL UNNECESSARY SHARP EDGES 2. MARK PART NO. ALL DETAILS	ITEM/SH.	QTY.	IDENTITY NO.	DESCRIPTION	MANUFACTURER & NO. SIZE
	TOLERANCE UNLESS OTHERWISE SPECIFIED		BY J.A.S.	TITLE	Perfecto INDUSTRIES, INC. 1729 W. HIGH ST., PIQUA, OHIO 45356 USA
ANGLES ± 1°		DATE 8-16-93	FLOOR PLAN	ATWOOD AUTOMOTIVE	
SUGGESTED SUPPLIER		CHECK	APP.		JOB NO. 93128-31
INCHES	MILLIMETERS	SCALE 1=20	SHT. B OF B	DRAWING NO. D-103021	

REF: D-102812